

PU-507TX-HDVGA

Switchable HDMI & VGA HDBaseT™ Transmitter with integrated video scaling (5-Play™ inc. PoE & single LAN, up to 100m)



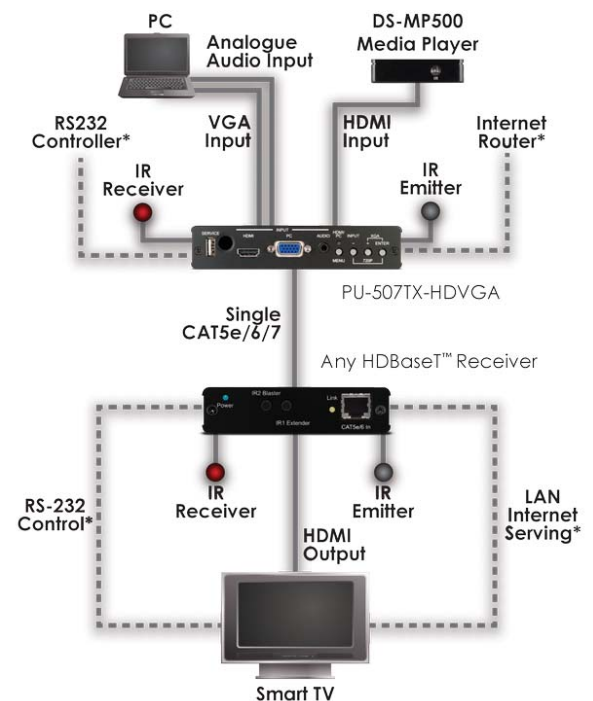
The PU-507TX-HDVGA allows VGA and uncompressed HDMI signals to be transmitted over a Single CAT5e/6/7 cable to lengths of up to 100 metres. This device features full 5-Play convergence allowing the distribution of Video, Audio, LAN serving, Power over Ethernet (PoE), RS-232 and 2-way IR control functionality over the same CAT5e/6/7 cable. This transmitter allows the user to select and switch between a HDMI or VGA source whilst the integrated scaler ensures maximum resolution support for the connected display. Additionally, the PU-507TX-HDVGA utilises an auto-scan feature which detects and switches to the last active input.

FEATURES

- Supports all v1.4 HDMI resolutions.
- Auto Scan function - scans the inputs for a live signal
- Supports uncompressed video/audio up to 10.2Gbps
- Common supported resolutions : HDTV: 480p, 576p, 720p, 1080i, 1080p, 1080p24;
PC: VGA, SVGA, XGA, WXGA, SXGA, UXGA, WUXGA.
- HDMI, HDCP, & DVI compliant
- Supports HDCP repeating and CEC functions
- Uncompressed data transfer over single CAT cable (100m - CAT6/7; 80m - CAT5e)
- Audio support up to 7.1CH & Dolby TrueHD, DTS-HD
- 5-Play™ convergence: HDMI, LAN, POE & Control (IR & RS232)
- Supports 3D signals

SPECIFICATIONS

Inputs	1x HDMI [1x HDMI Uncompressed AV and Data] 1x 15pin Dsub [1x PC RGBHV] 1x 3.5mm Stereo mini-jack [1x Analogue Stereo(L/R)] 1x RJ45 [1x LAN Serving] 1x 3.5mm Stereo mini-jack [1x Infra Red Receiver] 1x USB Type A [1x Service Port Propriety Data] 1x 9pin Dsub [1x RS-232 Data]
Outputs	1x RJ45 [1x HDBaseT HDMI & Propriety Data] 1x 3.5mm Stereo mini-jack [1x Infra Red Emitter]
Dimensions	145mm [W] x 200mm [D] x 30mm [H]
Net Weight	600g
Gross Weight	1200g



*If available on receiver

2016-04

Ein Vertriebsprodukt von / Distributed by:

VIDELCO Europe Limited – Professionelle Audio-, Video-, Medien-Technik

Fon: +49 (0)2102 / 86 39-00 • Fax: +49 (0)2102 / 86 39-17 • info@videlco.eu • www.videlco.eu

VIDELCO
Europe Limited