

PUV-1210PL-TX/RX

60m HDBaseT™ LITE Transmitter/Receiver (4K, HDCP2.2, HDMI2.0, PoH)



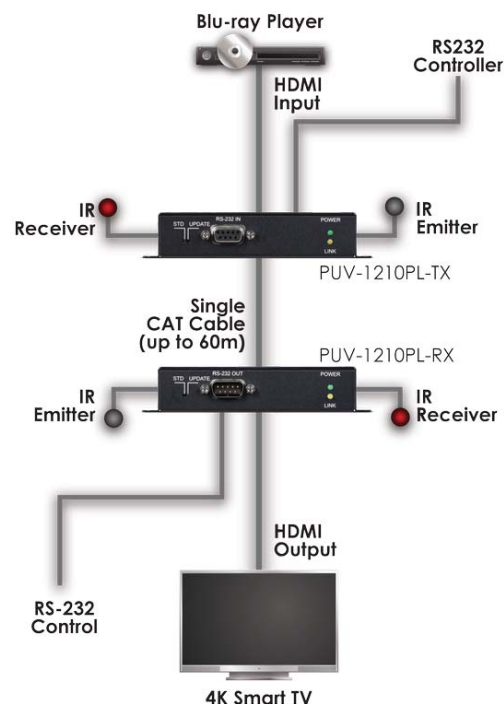
The PU-1210PL-TX/RX Set will accept transmitted video resolutions up to 4K UHD, along with HD audio, 2-Way IR, RS-232, PoH (Power over HDBaseT), and OAR (Optical Audio Return) up to 60m. This solution provides advanced signal management ensuring reliable results in the most demanding installation environments. All audio, video, control, and power are transmitted/received simultaneously over a single CAT6a/7 cable up to 60m.

FEATURES

- HDCP2.2 Compliant
- High-Definition video and audio, PoH (Power over HDBaseT) and control (Bi-Directional IR & RS-232 pass through)
- Supported resolutions VGA~WUXGA, 480i~1080p, 4K UHD@24/25/30Hz (RGB 4:4:4 & YUV 4:2:2), 4K UHD@ 60Hz (YUV 4:2:0), 4K/2K@24/25/30Hz (RGB 4:4:4 & YUV 4:2:2) and 4K/2K@ 60Hz (YUV 4:2:0) dependent upon the output display's EDID settings
- 4K/2K & 4K UHD signals can be transmitted up to 35m via CAT5e/6 and 60m via CAT6a/7
- Supports pass-through of HD audio formats: LPCM 2/5.1/7.1CH, Dolby Digital 2/5.1CH, Dolby Digital Plus, Dolby TrueHD, Dolby Atmos and DTS-HD Master Audio
- Supports HDCP repeating and CEC functions
- Supports 3D signals

SPECIFICATIONS

	TX	RX
Inputs	1x HDMI 1x 3.5mm Stereo mini-jack 1x 9pin Dsub	1x RJ45 1x 3.5mm Stereo mini-jack
Outputs	1x RJ45 1x 3.5mm Stereo mini-jack	1x HDMI 1x 3.5mm Stereo mini-jack 1x 9pin Dsub
Dimensions	116mm [W] x 106mm [D] x 27mm [H]	



2016-06

Ein Vertriebsprodukt von / Distributed by:

VIDELCO Europe Limited – Professionelle Audio-, Video-, Medien-Technik
Fon: +49 (0)2102 / 86 39-00 • Fax: +49 (0)2102 / 86 39-17 • info@videlco.eu • www.videlco.eu

