

HDC-S200 / HDC-S400

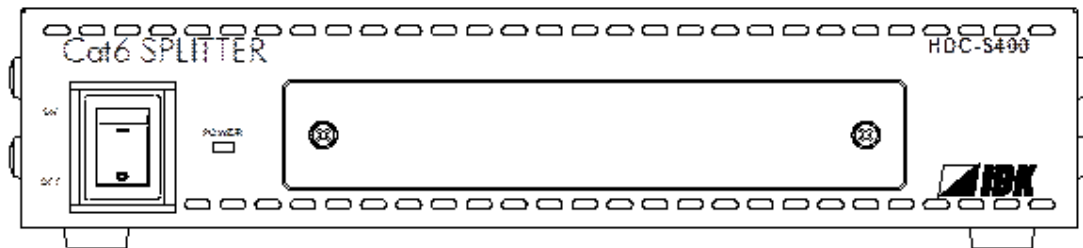


HDBaseT Distribution Amplifier

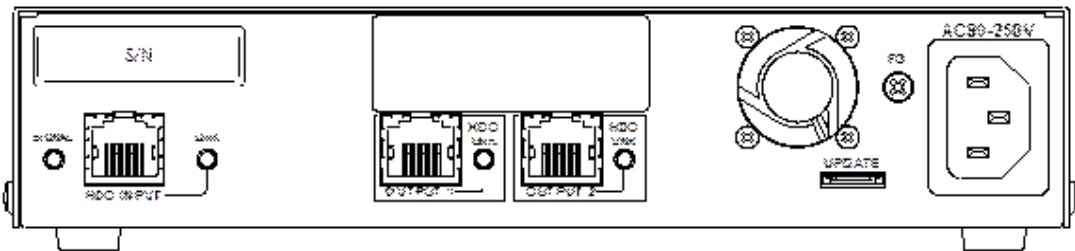
The IDK HDC-S200 and 400 are splitter which can extend HDBaseT signals by using IDK HDC series transmitters and receivers. By using with the IDK HDC series transmitters and receivers, video and audio signals can be extended and distributed to up to four HDBaseT receivers.

FRONT & REAR PANEL

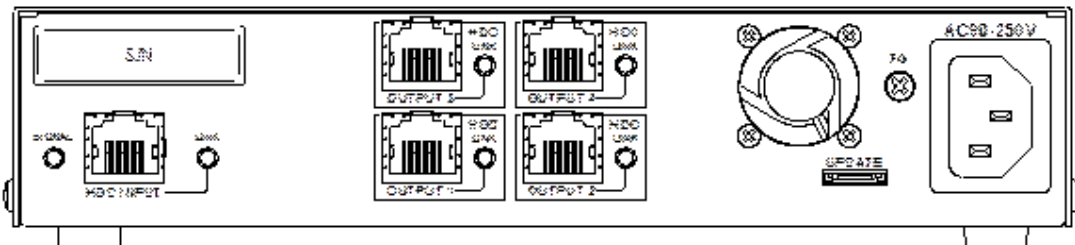
Front panel:



Rear panel: HDC-S200



HDC-S400



FEATURES

- Video:**
 - Up to QWXGA (Reduced Blanking) or 1080p
 - HDCP supported
 - Up to 197 ft. approx. / 60 m signal extension over a Cat6 cable
 - Daisy chain connection
 - Anti-snow
- Others:**
 - EDID emulation
 - Seven segment LED signal status check

2017-07

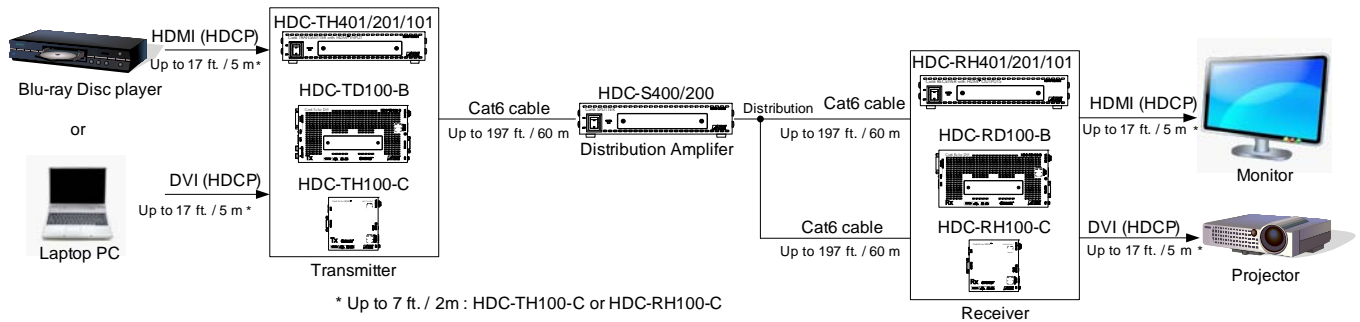
Ein Vertriebsprodukt von / Distributed by:

VIDELCO Europe Limited – Professionelle Audio-, Video-, Medien-Technik

Telefon: +49 (0)2102 / 86 39-00 • Fax: +49 (0)2102 / 86 39-17 • info@videlco.eu • www.videlco.eu

VIDELCO
Europe Limited

SAMPLE CONNECTION DIAGRAM



SPECIFICATIONS

Item			Description	
Model number			HDC-S200	HDC-S400
Input	Video	HDBaseT	Number / Signal	1 input / HDBaseT (*1) - HDCP1.4 (*2) - TMDS single link - TMDS clock: 25 MHz to 225 MHz - Dot clock: 25 MHz to 165 MHz
			Connector	1 RJ-45 (*3)
		Formats	480i / 480p / 576i / 576p / 720p / 1080i / 1080p VGA to QWXGA * VESA1080 / WUXGA / QWXGA: only Reduced Blanking is supported.	
	Color depth	24 bit, 30 bit, 36 bit Deep Color		
	Audio	Digital	Number / Signal	1 input / Multi-channel linear PCM up to 8 channels - Sampling frequency: 32 kHz to 192 kHz - Sample bit: 16 bit to 24 bit - Reference level: -20 dBFS - Max. input level: 0 dBFS
			Connector	1 RJ-45 (*3)
Output	Video	HDBaseT	Number / Signal	2 outputs / HDBaseT (*1) - HDCP1.4 (*2) - TMDS single link - TMDS clock: 25 MHz to 225 MHz - Dot clock: 25 MHz to 165 MHz y
			Connector	2 RJ-45 (*3)
		Formats	480i / 480p / 576i / 576p / 720p / 1080i / 1080p VGA to QWXGA * VESA1080 / WUXGA / QWXGA: only Reduced Blanking is supported.	
	Color depth	24 bit, 30 bit, 36 bit Deep Color		
	Audio	Digital	Number	2 outputs
			Signal	Multi-channel linear PCM up to 8 channels - Sampling frequency: 32 kHz to 192 kHz - Sample bit: 16 bit to 24 bit - Reference level: -20 dBFS - Max. output level: 0 dBFS
Connector	2 RJ-45 (*3)	4 RJ-45 (*3)		
Plug & Play			DDC2B is supported	
Function			Seven segment LED signal status check Anti-Snow (*6) RS-232C (pass through)	
Twisted pair cables			Cat5e UTP / STP, Cat6 UTP / STP, CAT.5E HDC cable (*4)	
Max. extension distance			197 ft. approx. / 60 m (*5)	
Control	Serial control port	Number / Signal	2 ports / RS-232C, pass through 115.2 kbps	4 ports / RS-232C, pass through 115.2 kbps
		Connector	2 RJ-45 (*2)	4 RJ-45 (*2)
Others	AC adapter		90 - 250 VAC ± 50 Hz / 60 Hz ± 3 Hz	
	Power consumption		About 16 Watts	
	Dimensions		8.27 x 1.73 x 11.81 / 210 (W) x 44 (H) x 300 (D) mm (EIA 1/2U size, projections are not included)	
	Weight		4.19 lbs. / 1.9 kg	4.41 lbs. / 2.0 kg
	Temperature		Operating: 32°F to 104°F / 0°C to +40°C Storage: -4°F to +176°F / -20°C to +80°C	
	Humidity		Operating/ Storage humidity: 20% to 90% (Non Condensing)	

*1 xvYCC, 3D, ARC and HEC are not supported. CEC is available only between input and selected one output channel.

*2 HDCP-compliant DVI signals are not supported. To transmit these signals, use our extender which supports DVI signals.

*3 RJ-45 (HDBaseT input/output connectors) is only for Cat5e/Cat6 twisted pair cable. Please do not use it for LAN devices or the like.

*4 T568A or T568B straight connection. HDC.CAT5E cable is HDBaseT recommended cable which IDK developed.

*5 If connected to a device whose status is significantly bad, video signal can be unstable or cannot be output. Check the operation beforehand or contact us.

*6 The anti-snow feature automatically fixes snow noise that is a specific symptom of HDCP-compliant signals and mainly occurs at start-up. This feature does not work when snow noise has already occurred during startup or when it occurs due to a bad condition of the transmission line.