

FDX Series 16/32/64



Digital Matrix Switcher

The IDK FDX Series are a high-performance digital matrix switcher accepting any combination of available HDMI/DVI signals, twisted pair cable extension (HDBaseT) and fiber optic extension input / output boards. Input and output boards are available with 4-input ports and 4-output ports, providing various I/O combinations with sizes ranging from 4x4 to 16x16 / 32x32 / 64x64. The FDX-16 / FDX-32 / FDX-64 also supports HDCP, and it is ideal for a wide range of applications that require routing of high-resolution digital video signals.

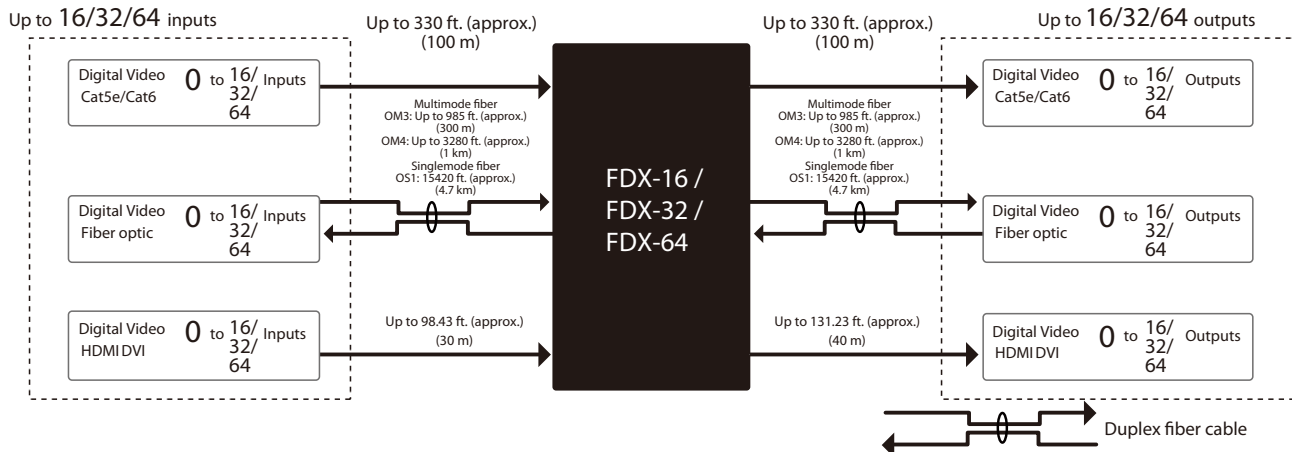
FRONT / REAR PANEL



FEATURES

- Video:**
- Up to QWXGA (RB)* or 1080p * (RB) = Reduced Blanking
 - 4-port slot board input and output board
 - HDMI/DVI input and output boards
 - HDBaseT input and output boards
 - Fiber optic extension input and output boards
 - Anti-snow
- Control:**
- RS-232C, LAN
- Others:**
- Instant alert function for power supply and fan units
 - Redundant power supply unit (optional)
 - Input/output and CPU boards can be replaced without removing the unit from rack mount
 - Connection Reset
 - EDID emulation
 - Front panel security lockout

CONNECTION DIAGRAM



2016-04

Ein Vertriebsprodukt von / Distributed by:

VIDELCO Europe Limited – Professionelle Audio-, Video-, Medien-Technik

Telefon: +49 (0)2102 / 86 39-00 • Fax: +49 (0)2102 / 86 39-17 • info@videlco.eu • www.videlco.eu

