

24-Port ADSL2/2+ IP DSLAM



The PLANET IDL-2402 is a 24-Port ADSL2/ADSL2+ mini IP DSLAM with one 1000Base-T uplink Interface offering scalable and easy deployment for the network with small ADSL environment. With the built-in POTS splitter subscriber ports, the IDL-2402 performs a cost-effective solution for network service providers to offer multiple subscribers excellent services.

Moreover, the IDL-2402 supports local and remote managed capabilities of CLI, SNMP, Telnet via RS-232 Console Port and Web GUI management interface. Via the user-friendly Web GUI, the IDL-2402 can be managed by workstations running standard web browsers that provide the easy-to-use operation and convenient maintenance.

To enhance the network security, the PLANET IDL-2402 also provides features such as QoS, VLAN, Multicast, Bandwidth Management, Traffic Prioritization, and Access Control List. With the advanced QoS features, the IDL-2402 is an ideal solution for next generation broadband network to deliver rich video contents, DSL, POTS, and VoIP service over ADSL2+ connection.

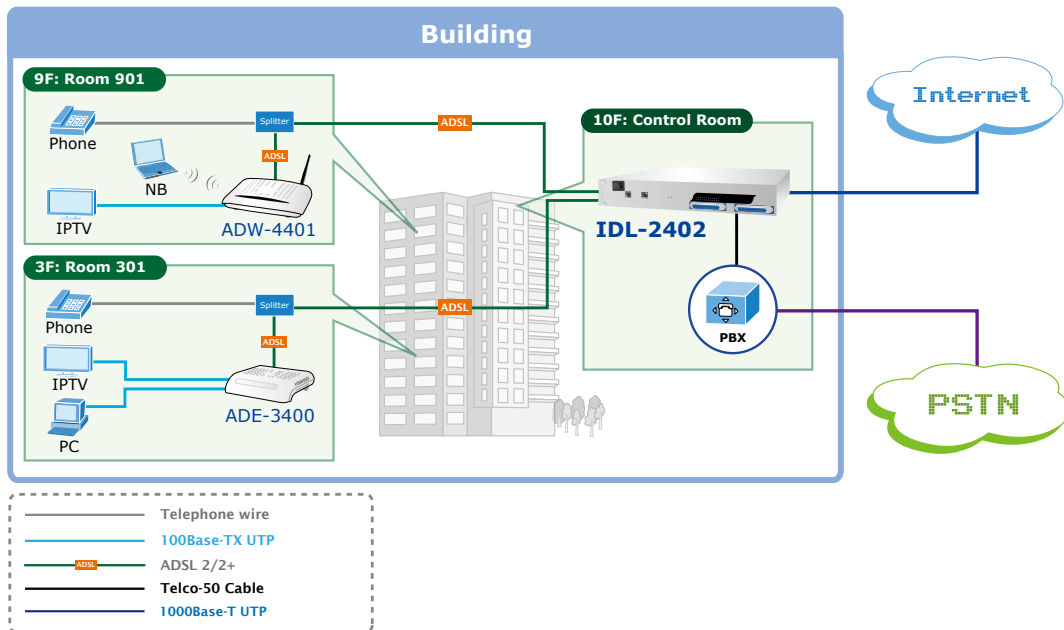
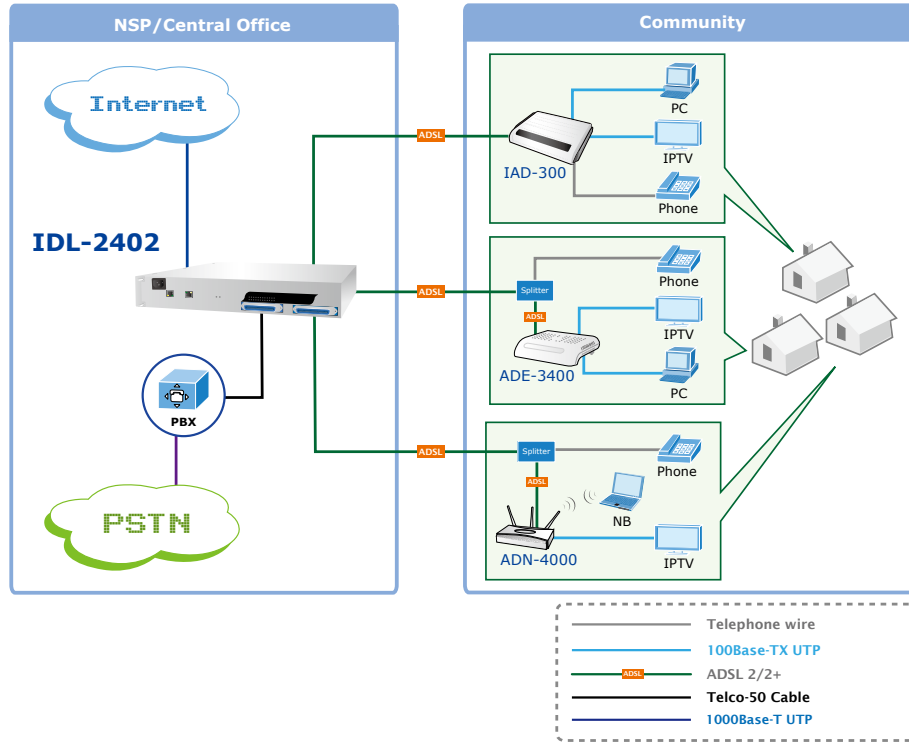
KEY FEATURES

- 24-Port ADSL/ADSL2/ADSL2+ subscriber interface with built-in POTS splitter
- DMT data rate: Downstream up to 25 Mbps / Upstream up to 3 Mbps
- 1000Base-T uplink interface
- Web GUI based management
- Local RS-232 CLI and Ethernet SNMP / Telnet / SSH management
- Firmware upgradable via FTP
- Configuration backup and restoration via TFTP
- Supports IPSec / L2TP / PPTP VPN pass-through
- Supports 4K MAC address
- Supports IEEE 802.1q Tag-based VLAN and Protocol-based VLAN
- Layer 2 / 3 filtering based on MAC, IP, Protocol, Port number and Ether Type
- Access Control List by MAC / IP / Protocol / Port number
- Traffic prioritization (802.1p)
- Supports IGMP snooping / proxy per IGMP v1, v2, and v3
- FAN alarm indicating
- Temperature monitoring and system overheating trap functionality

APPLICATIONS

Perfect solution for NSP (Network Service Provider) to offer broadband services

The PLANET IDL-2402 offers the benefit of high performance to central office co-location and MTU (Multi-Tenant Unit) / MDU (Multi-Dwelling Unit) markets. It provides service of broadband data over existing copper wires without affecting the conventional voice service by 24 subscriber ports with built-in POTS splitter. The PLANET IP DSLAM is the perfect solution for NSP with cost-effective and high-value central management capability.



SPECIFICATION

Product	24-Port ADSL2+ IP DSLAM	
Model	IDL-2402	
Hardware Specification		
Case	1.5U high box-type with a rack-mountable enclosure	
Ports	Uplink	1 x RJ-45 (10/100/1000Base-T)
	Console	RS-232 Serial Port (9600, 8, N, 1)
	LINE	1 x RJ-21 Connector
	PHONE	1 x RJ-21 Connector
LED Indicators		1 x SYS LED
		1 x ALM LED
		1 x Uplink LED
		24 x ADSL LEDs
Software Specification		
Standard	Compliant with ADSL standard	
	<ul style="list-style-type: none"> – ANSI T1.413 issue 2 – G.dmt (ITU G.992.1) – G.lite (ITU G.992.2) – G.hs (ITU G.994.1) Capable of ADSL2 standard <ul style="list-style-type: none"> – G.dmt.bis (ITU G.992.3) Capable of ADSL2+ standard <ul style="list-style-type: none"> – G.dmt.bisplus (ITU G.992.5) 	
System	Subscriber interface with built-in POTS splitter	
	Downstream DMT data rate up to 25 Mbps	
	Upstream DMT data rate up to 3 Mbps (Annex M)	
	Distance up to 18 kft	
	8 PVCs per xDSL port	
	DHCP forward	
	DHCP relay agent	
	PPPoE relay	
	IPSec/L2TP/PPTP VPN pass-through function	
	PPPoA to PPPoE inter-working	
Bridge Function	Supports IPv4 packet	
	Supports IEEE802.1d Ethernet bridge function between trunk Ether port and ATM VCs	
	Supports static source MAC table provisioning, automatic source MAC learning and block duplicate ones	
	Supports 4K static MAC address table	
VLAN Function	128 MAC address per x DSL port	
	IEEE 802.1q Port-based / Protocol-based VLAN	
	512 non-stacked VLAN-ID simultaneously ranging from 1 to 4095	
	VLAN stacking and VLAN cross-connect	
	IP Spoofing prevention	
Multicast Function	MAC anti-Spoofing	
	Port isolation functionality	
	Static VLAN group and membership provisioning	
	IP multicast forwarding	
	Complies with RFC2684 bridged payload encapsulation mode	
	Up to 256 multicast groups and 512 copies simultaneously	
	Up to 48 profile-based Multicast Access Control	
Limit maximum number of IGMP groups joined per bridge port		
Security	IGMP snooping / proxy per IGMP v1, v2, and v3	
	IGMP proxy and IGMP snooping Selection	
	Supports Layer-2 frame filtering based on MAC and Ether Type	
	Supports Layer-3 filtering based on IP, Protocol, and Port number	
	IEEE 802.1X authentication	

QoS	<ul style="list-style-type: none"> Control the bandwidth occupied by broadcast, multicast, and unknown unicast (flooding) Rate-limit profile binding per bridge port Three Color Marking (TCM) policer Ethernet rate limit per bridge port ToS (type of service) / DiffServ (differentiated services) stripping and priority queuing DSCP mapping to 802.1p Selectable adopted priority queue mechanisms according to Strict Priority Queue (SPQ) and Weighted Fair Queue (WFQ) Configurable mapping function between ATM PVC and 802.1p priority queue Supports IP CoS technology
Management	<ul style="list-style-type: none"> Web based GUI management Local RS-232 CLI, and Ethernet SNMP / Telnet / SSH management Remote in-band SNMP / Telnet / SSH management Firmware upgradeable via FTP SNMP v1, v2c

ORDERING INFORMATION

IDL-2402	24-Port IP DSLAM (Annex A)
----------	----------------------------

ACCESSORIES

IDL-CBL-5	IDL 5-Meter Cable
IDL-PAN-48	IDL MDF Patch Panel