

16-Slot Managed Media Converter Chassis with Redundant Power Supply System



Highly Flexible and Remote Manageable Fiber-Optic Networking for FTTx, ISP MAN / LAN, Enterprise and Campus

For powerfully advanced fiber-optic function and cost-effective solution, PLANET has released a new Managed Media Converter Chassis series, MC-1610MR / MC-1610MR48, which provides 16 media converter slots and one management system in a 19-inch rack chassis. The MC-1610MR series is designed for FTTx applications by ISPs, telecoms, campuses and enterprises.

The MC-1610MR series helps to easily build the FTTx installation and perfectly satisfy diverse demands. The 16 slots can be flexibly applied with PLANET Fast / Gigabit Ethernet Smart Media Converter (FST-8 / GST-8 series) to construct FTTH (Fiber to the Home), FTTB (Fiber to the Building) or FTTC (Fiber to the Curb) network solution for ISPs, enterprises and campuses. The MC-1610MR series is a reliable and efficient solution for network application where distance and installation budget are highly concerned.

Diversified Central Management

The management function provided by the MC-1610MR series enables network administrators to monitor Media Converter connection status and configure the Converter remotely via Web browser or locally via an RS-232 console port. Through the management interface, the entire status of the converters such as link on/off or statistics of the port will be clearly demonstrated and monitored. The MC-1610MR series is ideal for telecom and corporate applications where a number of fiber links need to be managed and controlled from a central location.

Hardware

- High quality 19" Rack-mountable chassis installation
- Supports up to 16 hot-swappable slide-in modular Media Converter
- Supports PLANET Fast Ethernet and Gigabit Ethernet Smart Media Converter series -- FST-80x and FST-81x / GST-80x
- Two power slots on rear panel for redundant power support with options of 100~240V AC or -48V DC supplies
- Bay power isolation ensure each bay is electrically isolated from each other
- Up to two fans provided for better air-flow for system cooling
- One 10/100Mbps Fast Ethernet port and one RS-232 port for management
- Supports Auto-MDI / MDI-X for 10/100Base-TX port
- LED indicators for system, power and fan status
- EMI standards complies with FCC, CE class A

System Management

- Configurable through console, Web and SNMP
- Provides SNMP status of converters with trap functions for any chassis and connectivity event
- Simple Network Management Protocol
 - SNMP v1, v2c
 - SNMP Trap
 - Public MIB
 - Private MIB
- NTP Client (Time Zone Setting)
- Remote Syslog and local System log
- DHCP Client and DNS Client
- Temperature detects display and alarm
- Web Firmware Upgrade
- Management account login session control
- PLANET Smart Discovery Utility for deploy management

Converter Management

- Provides media Link / Connection Speed Duplex status for each module
- Redundant Back (Media Converter Link Redundant)
- Reduces the effort of converter's maintenance and management

Extremely Reliable Design to ensure continuous operation

The MC-1610MR series supports the optional hot-swappable Redundant Power System (RPS) to ensure continuous operation. Both the MC-1610MR and MC-1610MR48 are equipped with one 100~240V AC power supply unit and one -48V DC power supply unit, which come in the package, respectively. To enhance the reliability, they each have one spare power supply slot for that optional purpose. The continuous power systems are specifically designed to meet the demands for high tech facilities requiring the highest power integrity available. Also, 48V DC power supply offered makes the MC-1610MR series as a telecom level device that can be located in the electronic room.

The redundancy back-up and error tolerance capability of the link can be greatly improved to guarantee the network stability. The redundant link is designed for critical networks that require fibers or copper links to rapid recover automatically, such as ISPs, telecom, hospitals, banks and enterprises. If the master converter link is down, it forwards the packet to the slave converter's port of the backup pair.

The Managed Media Converter Chassis is equipped with temperature sensor and cooling fans to ensure reliable operation. Whenever the abnormal temperature is detected or cooling fan stops service, the Managed Media Converter Chassis would display related information on the Web management interface. Therefore, it helps the administrator to efficiently manage the media conversion operation.

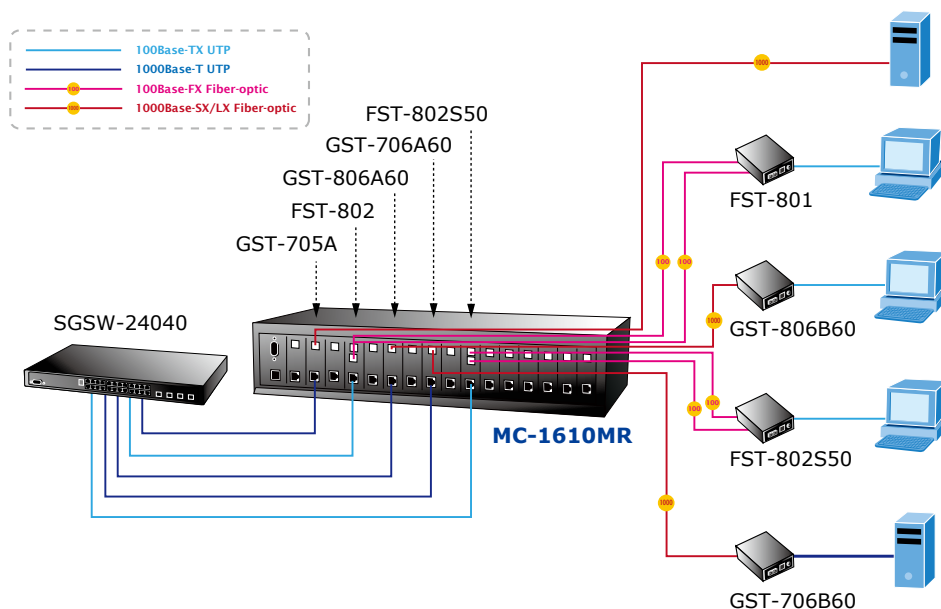
Flexibility and Extension

The MC-1610MR series allows the connection of up to 16 PLANET Smart Fast / Gigabit Ethernet Converters in one chassis. With an independent power supply on each slot of the MC-1610MR series, any converter is hot-swappable without causing an interruption to other converters. Each bay of the Media Converter Chassis can be populated with PLANET's Smart Media Converters. PLANET FST and GST Smart Media Converter series provides media conversion between copper to FX, SX and LX optical model for distance from 220m and up to 120km kilometers. The flexibility allows the MC-1610MR series to provide space with an efficient and cost-effective scalable solution even when the network scale grows.

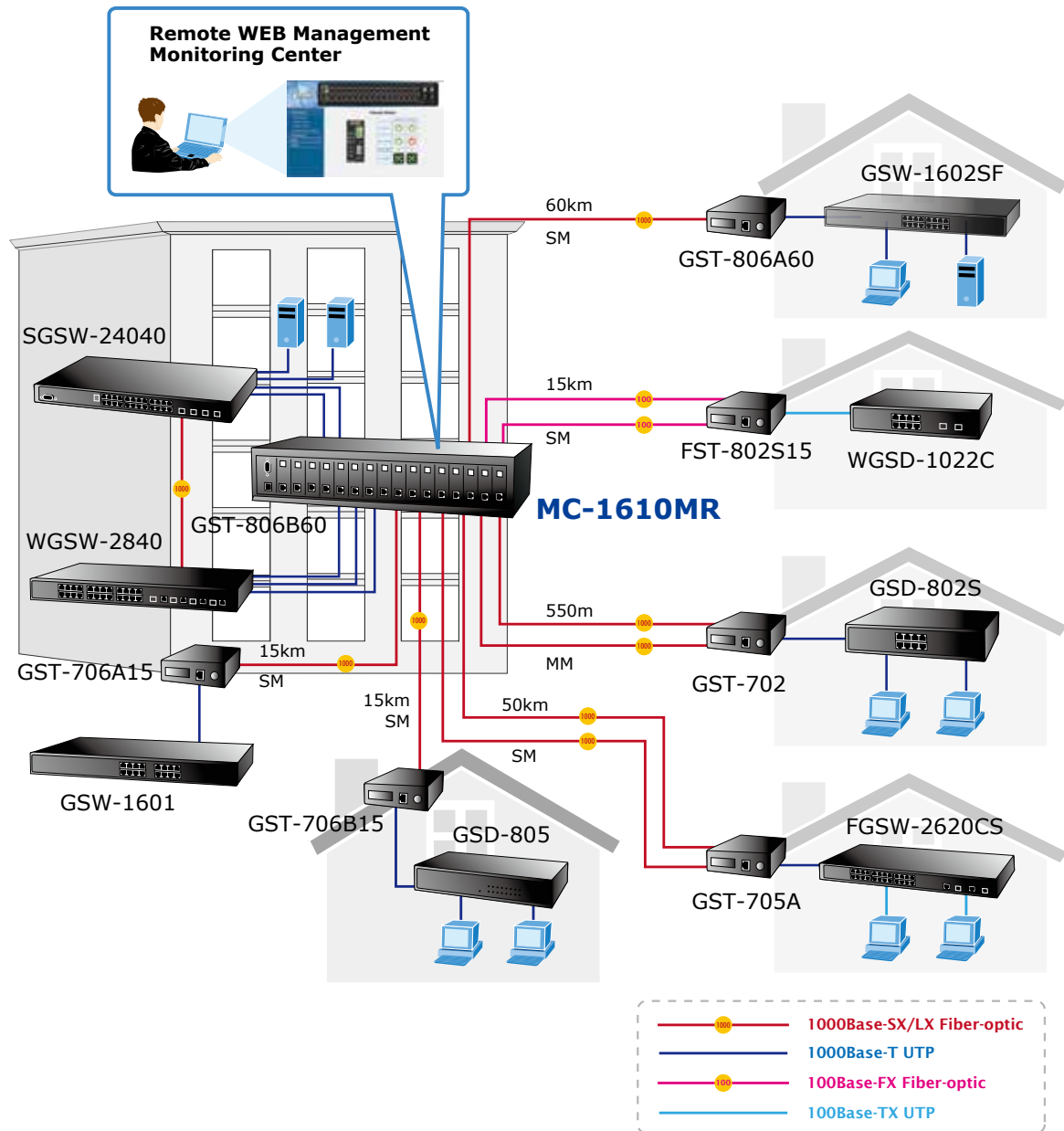
Applications

Centralized Media Converter Management

PLANET MC-1610MR / MC-1610MR48 provides the advanced media conversion technology to meet the growing demand for the current network. The Managed Media Converter Chassis allows installation of up to 16 PLANET FST-8 / GST-8 series Fast / Gigabit Ethernet Smart Media Converters with diverse options of fiber connecting type to meet different network applications. It is very flexible for FST-8 / GST-8 media converter series to be installed in the MC-1610MR series for centralized media conversion management. The optional redundant power supply system also ensures non-stop reliable operation.



The MC-1610MR series is designed with hot swappable slot and provides redundant link function to avoid the shutdown of the entire network. PLANET Managed Media Converter Chassis with FST-8 / GST-8 series Fast / Gigabit Ethernet Smart Media Converters are an ideal solution to building a reliable FTTC (Fiber to the Curb) and FTTB (Fiber to the Building) network solution for ISPs, campuses and enterprises.



Specifications

Model	MC-1610MR	MC-1610MR48
Hardware Specifications		
Dimensions (W x D x H)	440 x 88 x 350 mm, 2U	
Slot	16 open slots (15 x 80 x 26mm, W x D x H) 2 power slots (one fixed, one vacant)	
Weight	7kg	
Power Requirements	MC-1610MR 100-240V AC, 1A, 50-60Hz	
	MC-1610MR48 -48V DC, 2A, Range: -40V ~ -60V	
Power Output	5V DC per slot, 2A maximum	
Power Consumption	MC-1610MR 10 watts / 34BTU (1 x power supply, not include converters) 46.9 watts / 160 BTU (Full loading)	
	MC-1610MR48 5.3 watts / 18BTU (1 x power supply, not include converters) 96 watts / 327 BTU (Full loading)	
Operating Environment	0~50 degrees C, 5~90%RH	
Storage Environment	-20~70 degrees C, 5~90%RH	
Emission	FCC Class A, CE mark	
Management Interface		
Standards	IEEE 802.3 10Base-T Ethernet, IEEE 802.3u 100Base-TX Fast Ethernet, IEEE 802.3x Flow control	
Fixed Interface	10/100Base-TX port x1, RS-232 console port x1, Reset button x1	
Speed	Ethernet: 10/20Mbps for half / full-duplex, Fast Ethernet: 100/200Mbps for half / full-duplex	
LED Indicator	System: MGM, Console, LNK/ACT, PWR ON x2, PWR FAIL x2, FAN FAIL x2	
Management	Console, Web, SNMP v1/v2c	
SNMP Trap	Cold Start, MC copper link up/down, MC fiber link up/down.	

Ordering Information

MC-1610MR	16-slot Managed Media Converter Chassis(AC power)
MC-1610MR48	16-slot Managed Media Converter Chassis(DC power)
MC-RPS130	130W Redundant Power Supply, 100-240V AC
MC-RPS48	Redundant Power Supply, -48V DC

Related Products

FST-80x Series	10/100Base-TX to 100Base-FX Smart Media Converter
FST-81x Series	10/100Base-TX to 100Base-FX Smart Fast Ethernet Media Converter (OAM Support)
GST-80X Series	10/100/1000Base-T to 1000Base-SX/LX Smart Media Converter

2015-07

Ein Vertriebsprodukt von:

VIDELCO Europe Limited – Professionelle Audio-, Video-, Medien-Technik
Fon: +49 (0)2102 / 86 39-00 • Fax: +49 (0)2102 / 86 39-17 • nfo@videlco.eu • www.videlco.eu