



DVI Beam DUO

2-Fiber Detachable DVI Module

Two-Fiber Detachable DVI Module DVI Beam DUO

The Digital Visual Interface is a high-quality, uncompressed data link between a host processor video card and a display peripheral. Optical technology for this transmission stretches the performance beyond the limitations of copper wire with longer length, data security, negligible RFI/EMI and the elimination of costly analog distribution systems.

The EDID in a display can be read and restored by just plugging it to the display. This self EDID programming feature makes the installation of **DVI Beam DUO** more easy and flexible at any variable resolution display systems.

The four (4) optical data, Red, Green, Blue and clock are multiplexed and de-multiplexed through CWDM optical module. Graphic data can be extended up to 1,500 meters (4,920ft) at WUXGA resolution (1900x1200) of 60Hz vertical refresh rate over two (2) LC fibers.

An external power adapter is required for the receiver module, while most video cards can provide +5V DC power to the transmitter module. The transmitter and receiver modules are clearly labeled to prevent reverse installation of the modules



KEY FEATURES

- Extends all VESA resolution up to WUXGA (1,920x1,200) 60Hz DVI data up to 1,500 meters (4,920 feet).
- Applicable to both single and multi-mode fibers.
 - (1) Up to 1,500m with two LC single-mode fibers.
 - (2) Up to 500m with two LC multi-mode fibers.
- Offers self-EDID programming feature, detecting from a display and restoring to an EEPROM in the transmitter just by plugging to the display without any physical DDC connection.
- The modules are compact enough to directly plug to graphic sources and displays by adopting DVI-plugs.
- Includes two (2) +5V DC power adapters for the transmitter and receiver.
- Certifies FCC and CE standards for EMI/RFI emission.
- Data security with negligible RFI/EMI emissions and loss of video quality due to no copper conductor present.

APPLICATIONS

- Digital FPD, PDP and projector installation in conference rooms, auditoriums and for kiosk systems.
- Digital display system integration for medical, military, aerospace, factory automation, and traffic control platforms.
- LED signboards for large scale information display and stadiums.
- Home Theatre Systems.

86341302

Ein Vertriebsprodukt von:

VIDELCO – Professionelle Audio-, Video-, Medien-Technik!

Telefon: +49 (0)2102 / 86 39-00 • Fax: +49 (0)2102 / 86 39-17 • info@videlco.eu • www.videlco.eu

VIDELCO
Europe Limited



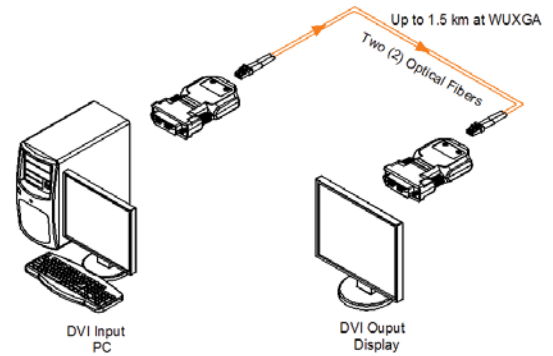
DVI Beam DUO

2-Fiber Detachable DVI Module

ELECTRICAL POWER SUPPLY CHARACTERISTICS

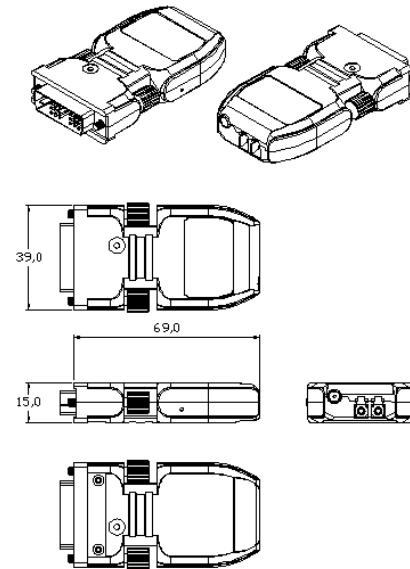
Transmitter Specifications						
Parameters		Symbol	Min.	Typ.	Max.	Units
Power Supply	Supply Voltage	V _{CC}	4.5	5.0	5.5	V
	Supply Current	I _{TCC}	350	400	570	mA
	Power Dissipation	P _{TX}	1.75	2.0	2.85	W
	Power Supply Rejection	PSR		50		mV _{p-p}
TMDS	Data Output Load	R _{LD}		50		Ω
	Graphic Supply Voltage	GV _{CC}	+ 3.1	+ 3.3	+ 3.5	V
	Single-Ended Input Swing Voltage	GV _{ISWING}	0.4	-	0.6	V
Optical Link	Output Optical Power	P _o	-10.0		-3.0	dBm
	Wavelength	λ _{c1}	1260	1310	1360	nm
		λ _{c2}	1480	1550	1580	
	Extinction Ratio	Ext	4	5		dB
	Rising/Falling Time	T _{rise} /T _{fall}			260	ps
Jitter in p-p value	T _{jitter}			270	ps	

OPTICAL FIBER CONNECTION



DRAWING Dimension [mm]

Receiver Specifications						
Parameters		Symbol	Min.	Typ.	Max.	Units
Power Supply	Supply Voltage	V _{CC}	4.5	5.0	5.5	V
	Supply Current	I _{RCC}	350	420	570	mA
	Power Dissipation	P _{RX}	1.75	2.1	2.85	W
	Power Supply Rejection	PSR		50		mV _{p-p}
TMDS	Data Input Load	R _{LD}		50		Ω
	Graphic Supply Voltage	GV _{CC}	+ 3.1	+ 3.3	+ 3.5	V
	Single-Ended Output Swing Voltage	GV _{ISWING}	0.2	-	0.4	V
Optical Link	Receiving Optical Power	P _o	-20		-3.6	dBm
	Receiving Wavelength	λ _{c1}	1260	1310	1360	nm
		λ _{c2}	1480	1550	1580	
	Signal Detect Good	SDg			-17	dBm
	Signal Detect Fail	SDf	-25			dBm
	Link Power Budget	P _{bg}	7	10		dB
Total Jitter	T _{Rjitter}			309	ps	



Note: The DVI Beam DUO transmitter and receiver have the same mechanical dimensions.

RECOMMENDED OPERATING CONDITIONS

Parameter	Symbol	Min	Typ	Max	Units
Ambient Operating Temp.	T _A	0	25	+ 50	°C
Storage Temperature	T _s	-10		+85	°C
Storage Humidity	H _s	5		85	RH%

86341302

Ein Vertriebsprodukt von:

VIDELCO – Professionelle Audio-, Video-, Medien-Technik!

Telefon: +49 (0)2102 / 86 39-00 • Fax: +49 (0)2102 / 86 39-17 • info@videlco.eu • www.videlco.eu

