

1T-CT-400 Series

CAT. 5 Transmitters – With and Without Audio

Key Features 1T-CT-400 Series

- Models for RGBHV or YPbPr format
- Resolutions to 1920x1200, 1080p @ 60Hz
- Some Models with Digital & Analog Stereo
- 1 Model has built-in UTP Repeater for cascading
- 1 Model has multiple UTP Outputs
- Ranges up to 300 Meters (1,000 Feet)
- Locking power supply for security
- Optional Rackmount Kits available

Transmitters

- 4 Models available for maximum flexibility
- All Models with 300 meter (1,000') maximum range
- 3 Models with RGBHV only
- 1 Model with YPbPr only
- 1 Model without audio
- 2 Models with Analog Stereo and S/PDIF
- All Models with Video loop-thru for monitoring
- 3 Models with Audio monitoring output
- 1 Model with 8 UTP Outputs
- 2 C2 Video Switcher/Scaler models with UTP Out



1T-CT-400 Series is a comprehensive system for the transmission of RGBHV or YPbPr video at resolutions up to 1920x1200 and 1080p, plus digital or analog audio signals over CAT. 5/E or CAT. 6 cable at great distances. The mix and match approach to the product line enables the user to choose the most cost efficient units to perform a specific task. Rackmount options are available for all models for ease of systems integration. All products use the unique TV One-task locking power connectors to enhance overall system security.

Transmitters - Four transmitter models are available, allowing the selection of the features necessary for the specific application at hand. All transmitters are capable of distances up to 300 meters (1,000 feet), some providing analog and digital audio capability. Three models handle RGBHV, one of which has 8 UTP Outputs, and one handles YPbPr format. Two models provide audio support. In addition to those transmitter models, two CORIO2 Video Scaler/Switchers have an integral UTP output. Models C2-1200 and C2-1250 can output either RGBHV or YPbPr format video signals to distances up to 300 meters (1,000 feet) without audio. Select the appropriate transmitter using the reference chart on page 117.

Signal Transmission Systems

Distributor / Vertrieb:

VIDELCO – Professionelle Audio- Video- Medien-Technik!
 Tel.: +49 (0)2102 / 86 39-00 • Fax: +49 (0)2102 / 86 39-17 • info@videlco.eu • www.videlco.eu

1T-CT-400 Series Specifications

Video Inputs

1T-CT-441, 443, 467	1x RGBHV via HD-15
1T-CT-453	1x YPbPr via 3 RCA

Video Loop-thru Outputs

1T-CT-441, 443, 467	1x RGBHV via HD-15
---------------------	--------------------

Audio Inputs

1T-CT-441	None
1T-CT-467	1x Analog Stereo via 3.5mm
1T-CT-443, 453	1x Analog Stereo via 3.5mm, 1x S/PDIF via Toslink

Audio Monitoring Outputs

1T-CT-441	None
1T-CT-443, 453, 467	1x Analog Stereo via 3.5mm

Video Performance

Maximum Resolutions	Up to 1920x1200, 1080p / 60Hz
Video Bandwidth	350MHz
Input Signal Levels	Video 0.75mV, Sync 5V TTL
Horizontal Freq Range	15-70KHz
Vertical Freq Range	30-170Hz

Audio Performance

Input Sampling Rates	32, 44.1, 48, 96KHz
----------------------	---------------------

Maximum Range

All Models	300m (1,000'), depending on Receiver selected
------------	---

UTP Output Connectors

1T-CT-441, 443, 452	1xRJ-45
1T-CT-467	8xRJ-45

Mechanical (H-W-D)

1T-CT-441, 443, 453	88x141x32mm (1.26x5.5x3.5")
1T-CT-467	44x213x134mm (1.75x8.4x5.3")

Weight

1T-CT-441, 443, 453	224g (0.53 lbs)
1T-CT-467	360g (1.9 lbs)

Power Requirement

External Power Supply	5 VDC@2A, Locking DC
1T-CT-467	100-240VAC, 50-60Hz

Environmental

Operating Temperature	0° to +70° C (+32° to +158° F)
Operating Humidity	10% to 90%, Non-condensing
Storage Temperature	-40° to +70° C (-40° to +158° F)
Storage Humidity	10% to 90%, Non-condensing

Warranty

Limited Warranty	5 Years Parts and Labor
------------------	-------------------------

Regulatory Approvals

Encoder/Decoder Unit	FCC, CE, RoHS
Power Supply	UL, CUL, CE, PSE, GS, RoHS

Cable Requirements

CAT.5/E or CAT 6	Network Grade, Premium
------------------	------------------------

Accessories Included

1x Power Adapter	US, UK or Euro (except 1T-CT-467)
1x User Manual	1T-CT-400 Series

Optional Accessories

RM-370T Rackmount	3 units – 1T-CT-441, 443, 453
RM-360S Rackmount	1 unit – 1T-CT-467

Model Numbers

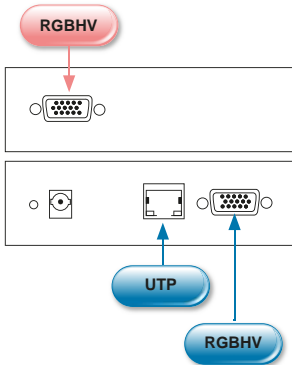
1T-CT-441	For RGBHV
1T-CT-443	For RGBHV, Stereo
1T-CT-453	For YPbPr, Stereo
1T-CT-467	For RGBHV, Stereo with 8 UTP Out

Note

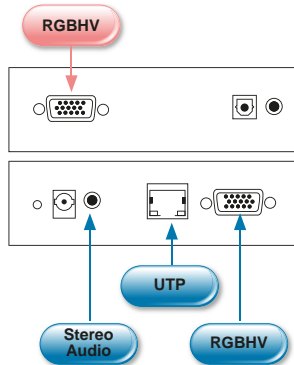
Video Switcher/Scaler Models C2-1200 and C2-1250 have UTP outputs that can transmit either RGBHV or YPbPr to distances up to 300 meters without audio. Check the Spec Sheets for those products for full details. These units are compatible with UTP Receiver models 1T-CT-442, 444, 464.



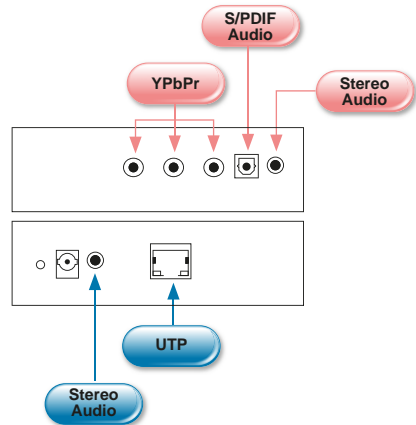
1T-CT-441



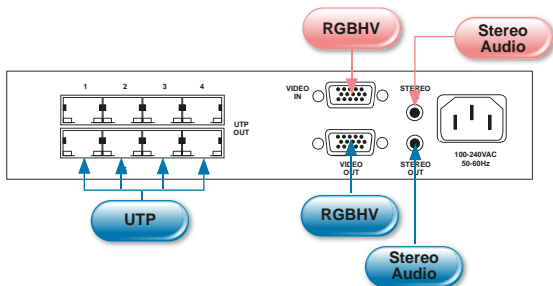
1T-CT-443



1T-CT-453



1T-CT-467



Distributor / Vertrieb:

VIDELCO – Professionelle Audio- Video- Medien-Technik!
Tel.: +49 (0)2102 / 86 39-00 • Fax: +49 (0)2102 / 86 39-17 • info@videlco.eu • www.videlco.eu

1T-CT-400 Series

CAT. 5 Receivers – With and Without Audio



Key Features 1T-CT-400 Series

- Models for RGBHV or YPbPr format
- Resolutions to 1920x1200, 1080p @ 60Hz
- Some Models with Digital & Analog Stereo
- 1 Model has built-in UTP Repeater for cascading
- Ranges up to 300 Meters (1,000 Feet)
- Locking power supply for security
- Optional Rackmount Kits available

Receivers

- 5 Models available for maximum flexibility
- 3 Models with 500' maximum range
- 2 Models with 1,000' maximum range
- 4 Models for RGBHV
- 1 Model for YPbPr
- 2 Models without audio
- 3 Models with Analog Stereo and S/PDIF
- 1 Model with built-in UTP Repeater for cascading
- 2 Models with built-in Skew Compensation adjust
- All Models with Equalization and Gain adjustments
- 3 Models compatible with C2-1200/1250 Scalers

1T-CT-400 Series is a comprehensive system for the transmission of RGBHV or YPbPr video at resolutions up to 1920x1200 and 1080p, plus digital or analog audio signals over CAT. 5/5E or CAT. 6 cable at great distances. The mix and match approach to the product line enables the user to choose the most cost efficient units to perform a specific task. Rackmount options are available for all models for ease of systems integration. All products use the unique TV One-task locking power connectors to enhance overall system security.

Receivers - Five Receiver models continue the theme of flexibility, allowing the selection of the appropriate unit to provide distances of up to either 150 meter (500 feet) or 300 meter (1,000 feet). Choose models with or without audio as the application dictates. The long range models have built-in RGB Skew Compensation adjustments. The 1T-CT-456 has a built-in UTP Repeater that allows another receiver to be cascaded up to an additional 300 meters (1,000'). Select the appropriate receiver using the reference chart on page 117.

Signal Transmission Systems

Distributor / Vertrieb:

VIDELCO – Professionelle Audio- Video- Medien-Technik!

Tel.: +49 (0)2102 / 86 39-00 • Fax: +49 (0)2102 / 86 39-17 • info@videlco.eu • www.videlco.eu

1T-CT-400 Series Specifications

UTP Inputs

1T-CT-442, 444, 452	1xRJ-45
1T-CT-456, 464	1xRJ-45

UTP Outputs

1T-CT-456	1xRJ-45 for UTP Repeater Out
-----------	------------------------------

Video Outputs

1T-CT-442, 444, 452, 456	1x RGBHV via HD-15
1T-CT-464	1x YPbPr via 3 RCA

Audio Outputs

1T-CT-442, 444	None
1T-CT-452, 456, 464	1x Analog Stereo via 3.5mm 1x S/PDIF via Toslink

Video Performance

Maximum Resolutions	Up to 1920x1200, 1080p / 60Hz
Video Bandwidth	350MHz
Output Signal Levels	Video 0.75mV, Sync 5V TTL
Horizontal Freq Range	15-70KHz
Vertical Freq Range	30-170Hz

Audio Performance

Output Sampling Rate	32KHz
----------------------	-------

Maximum Range

1T-CT-442, 452	150m (500'), RGBHV Out
1T-CT-444, 456	300m (1,000'), RGBHV Out
1T-CT-464	150m (500'), YPbPr Out

Adjustments

All Models	Equalization and Gain
1T-CT-444, 456	RGB Skew Compensation

Mechanical (H-W-D)

All models	89x141x32mm (1.26x5.5x3.5")
------------	-----------------------------

Weight

All Models	240g (0.53 lbs)
------------	-----------------

Power Requirement

External Power Supply	+5 VDC@2A, Locking DC
-----------------------	-----------------------

Environmental

Operating Temperature	0° to +70° C (+32° to +158° F)
Operating Humidity	10% to 90%, Non-condensing
Storage Temperature	-40° to +70° C (-40° to +158° F)
Storage Humidity	10% to 90%, Non-condensing

Warranty

Limited Warranty	3 Years Parts and Labor
------------------	-------------------------

Regulatory Approvals

Encoder/Decoder Unit	FCC, CE, RoHS
Power Supply	UL, CUL, CE, PSE, GS, RoHS

Cable Requirements

CAT.5/5E or CAT 6	Network Grade, Premium
-------------------	------------------------

Accessories Included

1x Power Adapter	US, UK or Euro
1x User Manual	1T-CT-400 Series

Optional Accessories

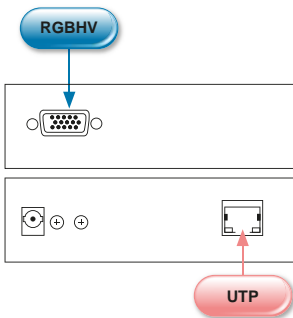
RM-370T Rackmount	3 units - All Models
-------------------	----------------------

Model Numbers

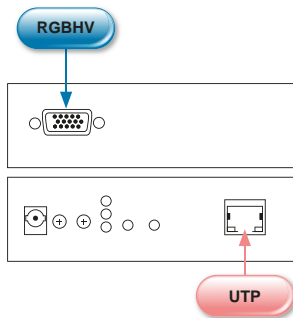
1T-CT-442	For RGBHV to 150m
1T-CT-444	For RGBHV to 300M
1T-CT-452	For RGBHV to 150m w/Stereo
1T-CT-456	For RGBHV to 300m w/Stereo
1T-CT-464	For YPbPr to 150m w/Stereo



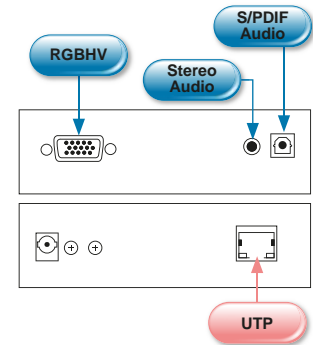
1T-CT-442



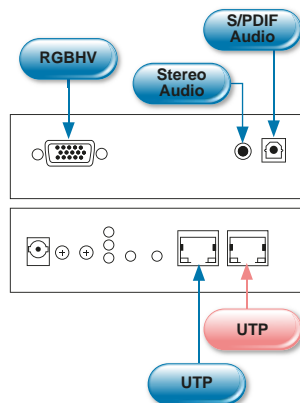
1T-CT-444



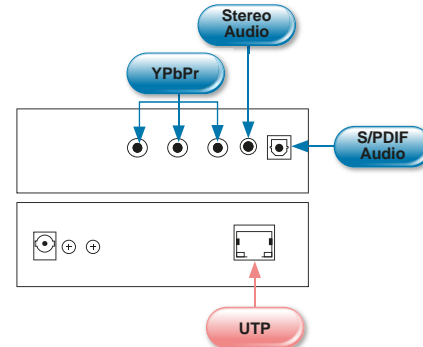
1T-CT-452



1T-CT-456



1T-CT-464



Distributor / Vertrieb:

VIDELCO – Professionelle Audio- Video- Medien-Technik!
Tel.: +49 (0)2102 / 86 39-00 • Fax: +49 (0)2102 / 86 39-17 • info@videlco.eu • www.videlco.eu