



## MX-6388

### 8x8 HDMI Matrix Routing Switcher



#### Key Features MX-6388

- 8x8 Matrix HDMI Signal Switching
- Full HDCP Compliance
- 480p to 1080p HDTV & VGA-WUXGA Resolutions
- HD up to 1080p60 Signals are Supported
- Supports DTS-HD Master Audio, Dolby True-HD, DTS, DD+ and DD Embedded Audio
- Per-output Monitor EDID Cloning Support
- Buffered Video Signal Handling
- IR Remote, RS-232 and Ethernet Control
- Rack Mount Kit included

**MX-6388 8x8 HDMI Matrix Routing Switcher** is designed to allow distribution of 8 HDMI sources to eight devices independently or all at the same time. All video paths are buffered to prevent video cross talk. The unit is HDCP compliant and allows resolutions from 480p to 1080p HDTV & VGA-WUXGA resolutions while also handling HD up to 1080p60 signals.

All inputs are processed at full bandwidth, using single link, 165 MHz (4.95Gpbs) circuitry so as to deliver no compromise outputs on all paths. Switcher memory is employed to insure last selection recall should power be temporarily lost. RS-232, Ethernet and Infrared control supplement front panel input/output selection and a rack mount kit is included with the switcher. The MX-6388 also provides output independent, per-input EDID cloning support.

## MX-7388

### 8x8 3G SDI Matrix Routing Switcher



#### Key Features MX-7388

- 8x8 Matrix 3G SDI Signal Switching
- Switching Synchronized to Sync Input Timing
- IR Remote, RS-232 and Ethernet Control
- Rack Mount Kit included

**MX-7388 8x8 3G SDI Matrix Routing Switcher** is designed to allow distribution of 8 3G-SDI sources to eight devices independently or all at the same time. All switching is synchronized to sync input timing. The unit allows for triple rate signal processing of the 3G-SDI, HD-SDI and SDI signals. Resolutions of up to and including 1080p60 is supported.

All inputs are processed at data rates of 270/1483/1485/2970 Mbps with equalized and re-clocked outputs to maintain signal path integrity. Switcher memory is employed to insure last selection recall should power be temporarily lost. RS-232, Ethernet and Infrared control supplement front panel input/output selection and a rack mount kit is included with the MX-7388.

## Routing Switchers

Distributor / Vertrieb:

**VIDELCO** – Professionelle Audio- Video- Medien-Technik!  
Tel.: +49 (0)2102 / 86 39-00 • Fax: +49 (0)2102 / 86 39-17 • info@videlco.eu • www.videlco.eu

## MX-6388 Specifications

### Video Inputs

HDMI Video 8x Type A HDMI

### Video Outputs

HDMI Video 8x Type A HDMI

### Performance

Video Resolution 480p through 1080p, VGA through WUXGA

Supported Standards HDMI 1.3, HDCP 1.1, DVI 1.0

Video Processing Single-Link, 165MHz, 4.95Gbps

Device Control Methods Front Panel, IR, RS-232, Ethernet

EDID Capability Standard Monitor Resolutions

### Video Formats

24 Bit RGB/YCbCr 4:4:4

30/36 Bit RGB/YCbCr 4:4:4 (Deep Color)

24/30/36 Bit RGB/YCbCr 4:2:2

### Audio Formats

Embedded Audio DTS-HD Master Audio, DTS, Dolby True-HD, DD+, DD

### Mechanical

Size (H-W-D) 1.75" x 17" x 11.4" (44 x 440 x 290mm)

with Rack Mount 1.75" x 19" x 11.4" (44 x 482 x 290mm)

Weight (Net) 7.2 lbs. (3.2kg)

### Warranty

Limited Warranty 3 Years Parts and Labor

### Environmental

Operating Temperature 0° to +40°C (+32° to +104°F)

Operating Humidity 20% to 90%, Non-condensing

Storage Temperature -20° to +60°C (-4° to +140°F)

Storage Humidity 20% to 90%, Non-condensing

### Power Requirement

Internal Power Supply 100-250VAC, 50-60Hz, 60W

### Regulatory Approvals

Switcher Units FCC, CE, RoHS

Power Supplies UL, CUL, CE, PSE, GS, RoHS

### Accessories Included

1x AC Power Cable US, UK or European Type

1x IR Remote Control Infrared

1x Rack Mount Kit

1x Operations Manual

### Optional Accessories

Cables/Adapters Various Types and Lengths

## MX-7388 Specifications

### Video Inputs

3G/HD/SD-SDI 8x via BNC Connector

Sync 1x via BNC Connector

### Video Outputs

3G/HD/SD-SDI 8x via BNC Connector

Sync Out 1x via BNC Connector

### SDI Transport

SDI Standards 3G/HD/SD-SDI

Data Rates 270 / 1483 / 1485 / 2970 Mbps

Video Bandwidths [2.97Gbps & 2.97/1.001Gbps]

Supported Protocols SMPTE 259M, 292M, 424M, 425M

Signal Reclocking All Outputs

Ancillary Data Pass-thru, All Outputs

I/O Impedance 75Ω

### Performance

Video Resolution 480p60 through 1080p60

Device Control Methods Front Panel, IR, RS-232, Ethernet

### Mechanical

Size (H-W-D) 1.75"x17"x12.2"(44x440x310mm)

with Rack Mount 1.75"x19"x12.2"(44x482x310mm)

Weight (Net) 8.0 lbs. (3.6kg)

### Max Cable Distances

Reference: Belden 1694A 3G: 100m (300'), HD: 150m (500'), SD: 300m (1000')

### Warranty

Limited Warranty 3 Years Parts and Labor

### Environmental

Operating Temperature 0° to +40°C (+32° to +104°F)

Operating Humidity 20% to 90%, Non-condensing

Storage Temperature -20° to +60°C (-4° to +140°F)

Storage Humidity 20% to 90%, Non-condensing

### Power Requirement

Internal Power Supply 100-240VAC, 50-60Hz, 60W

### Regulatory Approvals

Switcher Units FCC, CE, RoHS

Power Supplies UL, CUL, CE, PSE, GS, RoHS

### Accessories Included

1x AC Power Cable US, UK or European Type

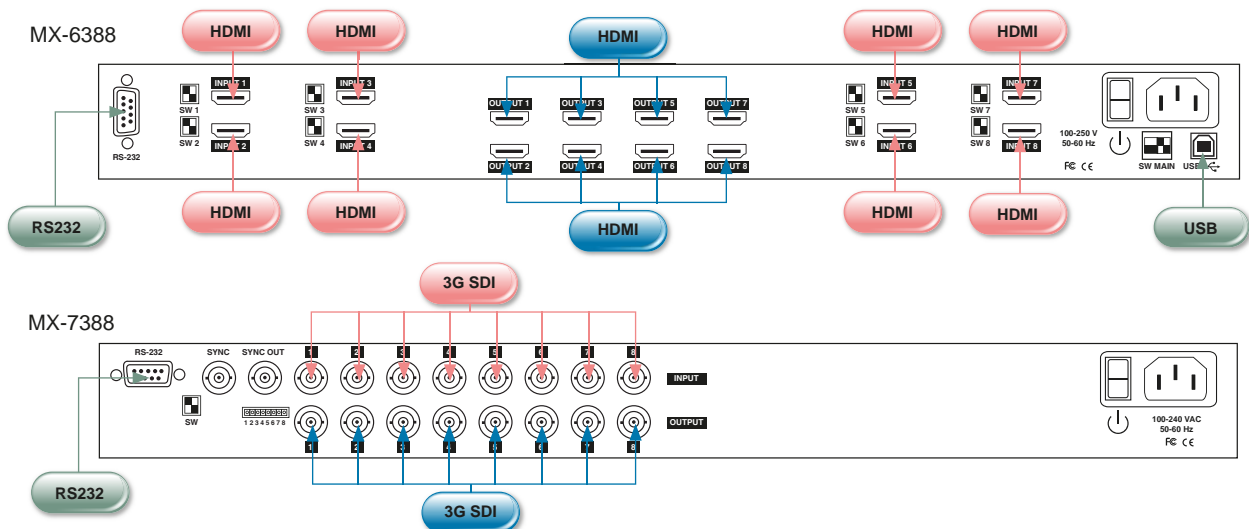
1x IR Remote Control Infrared

1x Rack Mount Kit

1x Operations Manual

### Optional Accessories

Cables/Adapters Various Types and Lengths



Distributor / Vertrieb:

**VIDELCO** – Professionelle Audio- Video- Medien-Technik!

Tel.: +49 (0)2102 / 86 39-00 • Fax: +49 (0)2102 / 86 39-17 • info@videlco.eu • www.videlco.eu