

COS-T100HD-B / COS-R100HD-B



HDMI Coaxial Cable Extender

The IDK COS-T100HD-B / COS-R100HD-B HDMI Coaxial Cable Extender is an extender for transmission of HDMI signals using a coaxial cable. The receiver supports Daisy Chain connection and bidirectional communication via RS-232C. The COS-100HD-B enables HDMI transmission using the existing coaxial cables. A digital audio input and an analog audio input are switch selectable.

FRONT & REAR PANEL



FEATURES

Video

- Up to QWXGA (RB)^{*}, 1080p
- HDCP1.4
- Extends up to 689 ft. (210 m) using a L-7CHD cable
 - L-7CHD: Up to 689 ft. (210 m)
 - L-7CFB: Up to 492 ft. (150 m)
 - L-5CFB: Up to 361 ft. (110 m)
 - L-5C2V: Up to 197 ft. (60 m)
 - L-3CFB: Up to 262 ft. (80 m)
 - L-3C2V: Up to 131 ft. (40 m)
- HDMI input cable EQ
 - INPUT: up to 98 ft. (30 m)
- Daisy Chain Connection
- Anti-Snow

Audio

- Embedded analog audio to HDMI signal
- De-embedded analog audio from HDMI signal

Control

- RS-232C bidirectional communication
- Batch transmission to all receivers when it has daisy chain connection
- Bidirectional communication between specified receiver when it has daisy chain connection

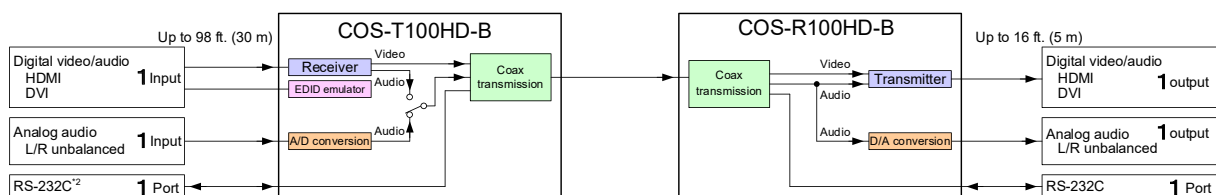
Others

- EDID emulation
- Connection reset
- Built-in test pattern / tone output
- Displaying I/O signal status (7-segment OSD)
- Transmit HDMI and serial signal using one coaxial cable
- AC adapter mechanical lock

^{*} (RB) = Reduced Blanking

CONNECTION DIAGRAM

Use one receiver



L-7CHD: Up to 689 ft. (210 m)¹⁾

Ver. 1.7.0 (181003)

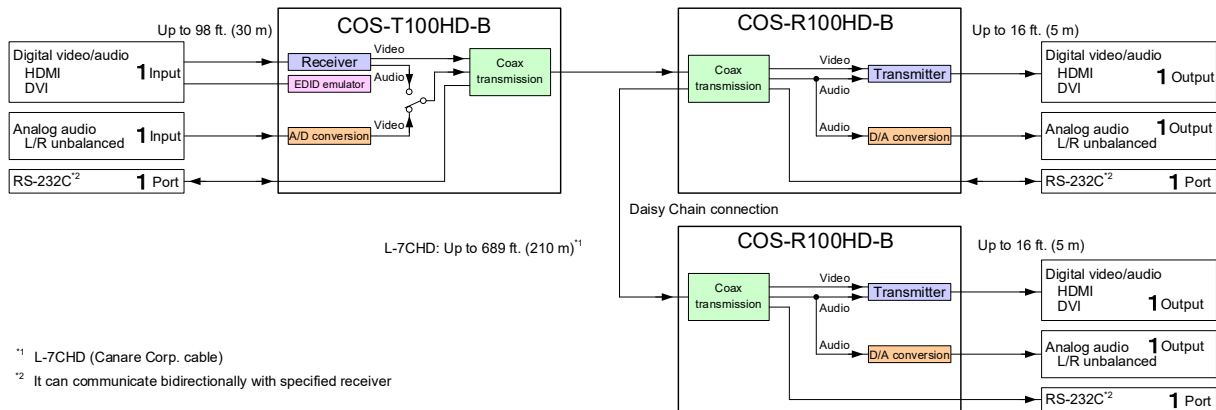
Ein Vertriebsprodukt von / Distributed by:

VIDELCO Europe GmbH – Professionelle Audio-, Video-, Medien-Technik
Telefon: +49 (0)2102 / 86 39-00 • Fax: +49 (0)2102 / 86 39-17 • info@videlco.eu • www.videlco.eu



CONNECTION DIAGRAM

■ Daisy Chain connection



SPECIFICATIONS

Item				COS-T100HD-B (Transmitter)	COS-R100HD-B (Receiver)
Input	Video	HDMI / DVI	Number / Signal	1 input / HDMI (*1) / DVI 1.0 TMDS Single Link, HDCP1.4 TMDS clock: 25 MHz to 165 MHz Dot clock: 25 MHz to 165 MHz Built-in EDID emulation	1 input / Digital signals for extension
			Connector	1 female HDMI Type A (*2)	1 BNC 75 Ω
		Others	Color depth: 24 bit (*5)		
	Formats	480i / 480p / 576i / 576p / 720p / 1080i / 1080p VGA to QWXGA * WUXGA / QWXGA only support Reduced Blanking			
	Audio	Digital	Number / Signal	1 input Multi-channel LPCM up to 8 channels - Sampling frequency: 32kHz to 192kHz - Sample Size: 16bit to 24bit - Reference level: -20 dBFS, - Max. input level: 0 dBFS	1 input / Digital signals for extension
			Connector	1 female HDMI Type A (*2)	1 BNC 75 Ω
Analog		Number / Signal	1 input / stereo LR unbalanced signals - Input impedance: 24 kΩ - Reference level: -10 dBu - Max input level: +10 dBu	-	
Connector	1 RCA pin jack		-		
Output	Video	HDMI / DVI	Number / Signal	1 output / Digital signals for extension	1 output / HDMI (*1) / DVI 1.0 TMDS Single Link, HDCP1.4 TMDS clock: 25 MHz to 165 MHz Dot clock: 25 MHz to 165 MHz
			Connector	1 BNC 75 Ω	1 female HDMI Type A (*3)
		Daisy Chain	Number / Signal	-	1 input / Digital signals for extension
		Connector	-		1 BNC 75 Ω
	Others	Color depth: 24 bit (*5)			
	Formats	480i / 480p / 576i / 576p / 720p / 1080i / 1080p VGA to QWXGA * WUXGA / QWXGA only support Reduced Blanking			
	Audio	Digital	Number / Signal	1 output / Digital signals for extension	1 output Multi-channel LPCM up to 8 channels - Sampling frequency: 48kHz - Sample Size: 24bit - Reference level: -20 dBFS - Max. input level: 0 dBFS
			Connector	1 BNC 75 Ω	1 female HDMI Type A
		Analog	Number / Signal	-	1 output / stereo LR unbalanced signals (*6) - Input impedance: 75 kΩ - Reference level: -10 dBu - Max input level: +10 dBu
	Connector	-		1 RCA pin jack	
Plug & Play				DDC2B (Built-in EDID: It can select maximum resolution)	
Coaxial cables				75 Ω coaxial cable for high frequency signal	
Signal transmission distance				L-7CHD: Up to 689 ft. (210 m) L-7CFB: Up to 492 ft. (150 m) L-5CFB: Up to 361 ft. (110 m) L-5C2V: Up to 197 ft. (60 m) L-3CFB: Up to 262 ft. (80 m) L-3C2V: Up to 131 ft. (40 m) *Please be careful to use it with an adequate cable length *This distance may shorten due to jitter performance of the input video signals *Number of daisy chaining may be limited or cable extension distance may shorten if jitter performance at daisy chaining had degraded	
Functions				Anti-Snow (*7), Connection Reset (*8), Built-in test pattern / tone output, I/O signal status check	
Control	Serial control port	Number / Signal	1 port / Full duplex Max. 115.2kbps		
		Connector	1 male 9-pin D-Sub		
Others	AC adapter	Input: 100 - 240 VAC ± 10%, 50 Hz / 60 Hz ± 3 Hz Output: DC 5V 3A (AC adapter is supplied)			
	Power consumption	About 6 Watts	About 6 Watts		
	Dimensions	4.2 × 1.1 × 5.9" (106 (W) × 28 (H) × 150 (D) mm) (EIA quarter rack wide) (Excluding connectors and the like)			
	Weight	1.1 lbs. (0.5 kg)			
	Temperature	Operating: 32°F to 104°F (0°C to +40°C) Storage: -4°F to +176°F (-20°C to +80°C)			
Humidity	Operating / Storage: 20% to 90% (Non Condensing)				

Ver. 1.7.0 (181003)

Ein Vertriebsprodukt von / Distributed by:

VIDELCO Europe GmbH – Professionelle Audio-, Video-, Medien-Technik
Telefon: +49 (0)2102 / 86 39-00 • Fax: +49 (0)2102 / 86 39-17 • info@videlco.eu • www.videlco.eu