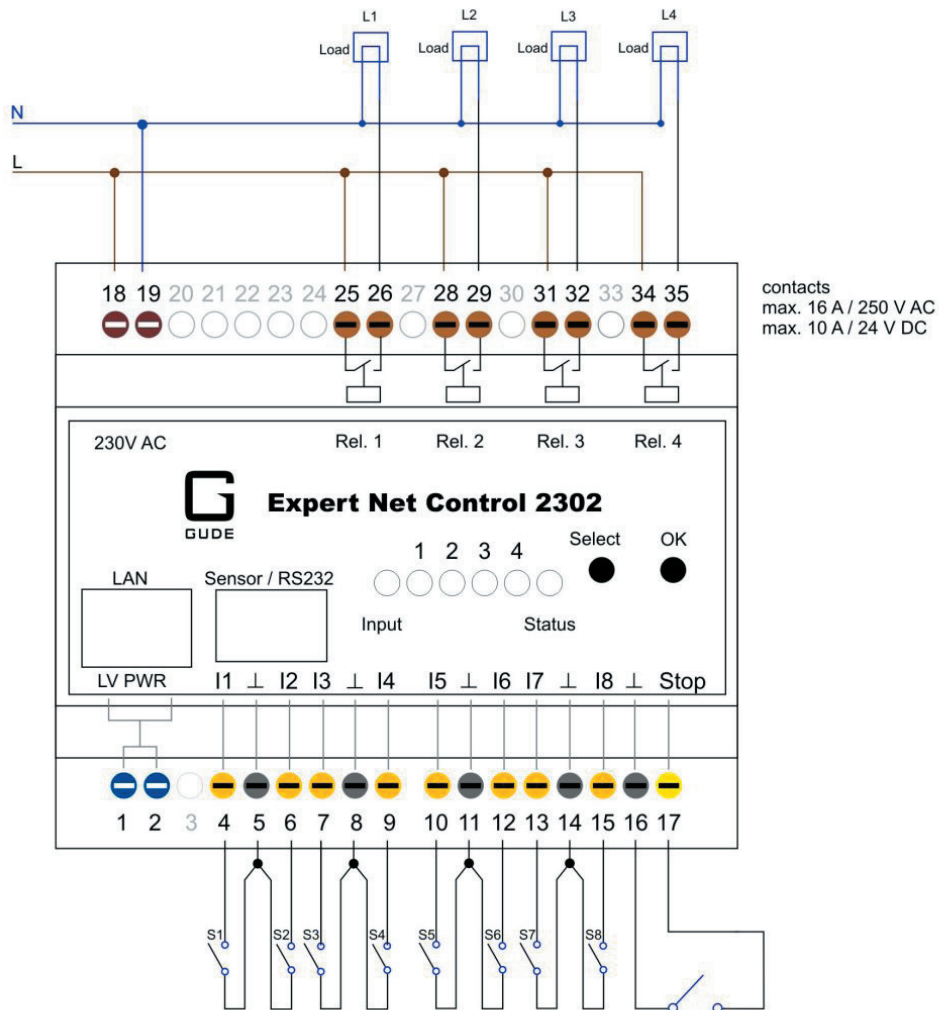


Remote I/O System with 4 switchable relay outputs and 8 passive signal inputs for DIN-rail mounting



If switch at Stop input is closed, all 4 relays are switched off. When opened again, they return to their state preset in configurations.

| Order code | Product                                 | Feature   | Power supply      |
|------------|---|---|-------------------|
| 2302-1     | Expert Net Control 2302-1               | 4 switchable outputs, 8 passive signal inputs, 1 sensor port                        | 230 VAC or 24 VDC |
| 7104       | Temperature Sensor 7104                 | RJ45 connector, -20°C to +80 °C   |                   |
| 7105       | Temp./Humidity Sensor 7105              | RJ45 connector, -20°C to +80°C / 0-90% humidity                                     |                   |
| 7106       | Temp./Humidity/Air pressure Sensor 7106 | RJ45 connector, -20°C to +80°C / 0-90% humidity / 300-1100 hPa /                    |                   |
| 7201       | Temperature Sensor 7201                 | Box case with RJ45 socket, -20°C to +80°C   |                   |
| 7202       | Temp./Humidity Sensor 7202              | Box case with RJ45 socket, -20°C to +80°C / 0-90% humidity                          |                   |
| 7311       | Optical Smoke detector 7311             | Overhead installation (d=100 mm), screw terminal NO or NC                           |                   |
| 7312       | Thermal Smoke detector 7312             | Overhead installation (d=100 mm), screw terminal NO or NC                           |                   |
| 7313       | Leakage Point Sensor 7313               | 13 mm two-tined, detects flooding, 4-core wire (2.5 m)                              |                   |
| 7902       | DIN Rail Power Supply Unit 7902         | Power supply unit for DIN rail, 230 VAC / 12 VDC 1250 mA (not included in delivery) |                   |

made in Germany

07/2018

Vertrieb / Distributor:

**VIDELCO** Europe GmbH – Professionelle Audio-, Video-, Medien-Technik  
 Fon: +49 (0)2102 / 86 39-00 • Fax: +49 (0)2102 / 86 39-17 • info@videlco.eu • www.videlco.eu