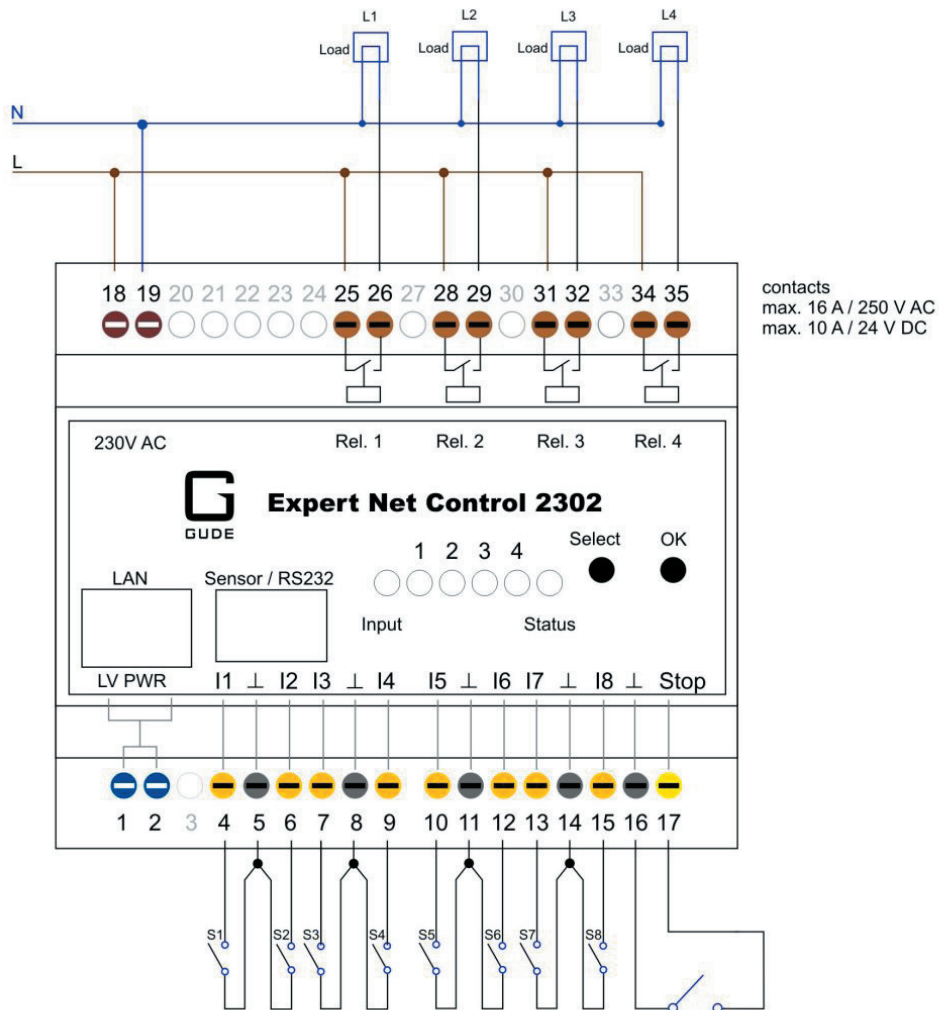


Remote I/O System with 4 switchable relay outputs and 8 passive signal inputs for DIN-rail mounting



If switch at Stop input is closed, all 4 relays are switched off. When opened again, they return to their state preset in configurations.

Order code	Product	Feature	Power supply
2302-1	Expert Net Control 2302-1	4 switchable outputs, 8 passive signal inputs, 1 sensor port	230 VAC or 24 VDC
7104	Temperature Sensor 7104	RJ45 connector, -20°C to +80 °C	
7105	Temp./Humidity Sensor 7105	RJ45 connector, -20°C to +80°C / 0-90% humidity	
7106	Temp./Humidity/Air pressure Sensor 7106	RJ45 connector, -20°C to +80°C / 0-90% humidity / 300-1100 hPa /	
7201	Temperature Sensor 7201	Box case with RJ45 socket, -20°C to +80°C	
7202	Temp./Humidity Sensor 7202	Box case with RJ45 socket, -20°C to +80°C / 0-90% humidity	
7311	Optical Smoke detector 7311	Overhead installation (d=100 mm), screw terminal NO or NC	
7312	Thermal Smoke detector 7312	Overhead installation (d=100 mm), screw terminal NO or NC	
7313	Leakage Point Sensor 7313	13 mm two-tined, detects flooding, 4-core wire (2.5 m)	
7902	DIN Rail Power Supply Unit 7902	Power supply unit for DIN rail, 230 VAC / 12 VDC 1250 mA (not included in delivery)	

