

HDC-P1502

4K@60, HDCP 2.2 supported PoH Injector



The HDC-P1502 is a single port power injector that supplies power to a PoH transmitter and receiver, such as HDC-TH100WP (Wall-plate HDMI twisted pair cable transmitter). Since the injector provides power to a transmitter and receiver (up to 15 W per device) simultaneously by installing within the HDBaseT transmission line, it eliminates the need for a local power supply. The HDC-P1502 stops supplying power if detecting PoH incompatible, twisted pair cable's short, overload, and heat problem.



FEATURES

Video

- Up to 4K@60
- HDCP 1.4 / 2.2 (Pass through)
- Up to 328 ft. (100 m) (4K@60) over Cat5e STP / Cat6 STP / CAT.5E HDC cable
- Cat5e UTP can be used*¹
- Up to 328 ft. (100 m) over Cat6 UTP cable*²
- Up to 492 ft. (150 m) (1080p (24 bits) or less) with device supporting Long Reach Mode*³

Others

- PoH power supply (equivalent to IEEE802.3af)
- Self check
- Power supply to transmitter and receiver simultaneously
- Power supply even with Long Reach Mode
- AC adapter with locking mechanism
- Up to 4 units can be mounted into 1U rack mount

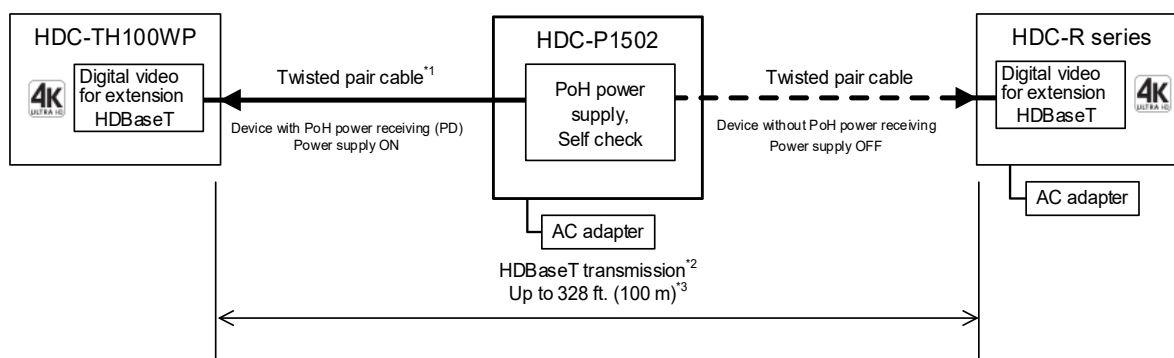
¹ For transmission distance longer than 164 ft. (50 m), Cat5e STP, Cat6 UTP / STP, and CAT.5E HDC cables are recommended.

² For 4K format longer than 230 ft. (70 m), Cat5e STP / Cat6 STP / CAT.5E HDC cables are recommended.

³ Maximum extension distance

Up to 492 ft. (150 m) : 1080p (24 bit) in Long reach mode. For Long reach mode, use IDK's twisted pair cable transmitter or receiver that supports 328 ft. (100 m) or longer. The maximum value was obtained when 1080p (24 bit) video signal is transmitted over Cat5e STP, Cat6 STP, or CAT.5E HDC cable in Long reach mode.

APPLICATION EXAMPLE



¹ For twisted pair cable for supplying power, cables thicker than AWG 24 are recommended.

² For Transmission distance longer than 164 ft. (50 m), Cat5e STP, Cat6 UTP / STP, and CAT.5E HDC cables are recommended.

For 4K format longer than 230 ft. (70 m), Cat5e STP / Cat6 STP / CAT.5E HDC cables are recommended.

For Long reach model longer than 328 ft. (100 m), Cat5e STP / Cat6 STP / CAT.5E HDC cables are recommended.

³ Maximum extension distance

Up to 492 ft. (150 m) : 1080p (24 bit) in Long reach mode. For Long reach mode, use IDK's twisted pair cable transmitter or receiver that supports 328 ft. (100 m) or longer. The maximum value was obtained when 1080p (24 bit) video signal is transmitted over Cat5e STP, Cat6 STP, or CAT.5E HDC cable in Long reach mode.

Ver.1.0.0 (180402)

Ein Vertriebsprodukt von / Distributed by:

VIDELCO Europe GmbH – Professionelle Audio-, Video-, Medien-Technik
Telefon: +49 (0)2102 / 86 39-00 • Fax: +49 (0)2102 / 86 39-17 • info@videlco.eu • www.videlco.eu





Item	Description	
Input	1 input HDBaseT (*1) PoH power supply (PSE) (equivalent to IEEE802.3af) (*2) Connector: RJ-45	
Output	1 input HDBaseT (*1) PoH power supply (PSE) (equivalent to IEEE802.3af) (*2) Connector: RJ-45	
Cable (*3)	Cat5e UTP / STP, Cat6 UTP / STP, CAT.5E HDC cable	
Maximum extension distance	The distance may be 10% shorter than the shorter one of transmitter / receiver and transmitter / sink device.	
General	AC Adapter	Input: AC ~ 100 V - 240 V±10%, 50 Hz / 60 Hz±3 Hz Output: DC 12 V 3 A (AC adapter is supplied)
	Power consumption	About 32 Watts
	Dimensions	4.2 (W) × 1.1 (H) × 3.9 (D)" (106 (W) × 27.5 (H) × 100 (D) mm) (EIA quarter rack wide) (Excluding connectors and the like)
	Weight	0.7 lbs. (0.3 kg)
	Temperature	Operating: 32°F to 104°F (0°C to +40°C) Storage: -4°F to +176°F (-20°C to +80°C)
	Humidity	Operating/ Storage: 20% to 90% (Non Condensing)

*1 The maximum resolution: 4K@60 (4:2:0), HDCP 1.4 / 2.2 (Pass through)

*2 Please use a transmitter / receiver supporting PoH power receiving function (PD) (equivalent to IEEE 802.3af).

*3 T568A or T568B straight wiring CAT.5E HDC cable is developed by IDK and meets requirements set by the HDBaseT alliance.
Twisted pair that is thicker than AWG 24 is recommended for supplying power.