

Bi-Directional Analogue Audio over Single CAT Receiver

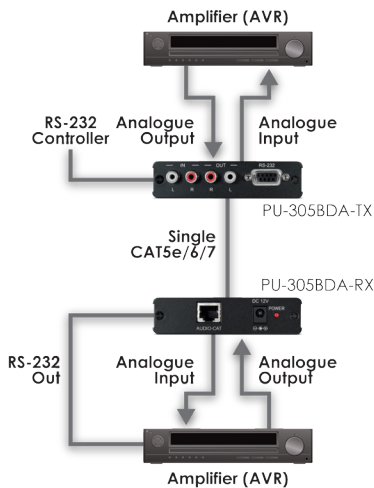


The PU-305BDA-RX is an analogue Stereo over CAT5e/6/7 Receiver which can send and receive analogue audio signals over a single run of CAT5e/6 cable up to 300m. It has the added benefit of RS-232 pass-through allowing control of devices and the Power over Ethernet (PoE) function can power the receiver unit eliminating the need for a second power supply. As the unit has bi-directional capabilities, this device can also send audio signals back to the connected transmitter.

This receiver is designed to be used with the PU-305BDA-TX Analogue Audio Transmitter or the PU-305BD-TX Digital Audio Transmitter. When combined with the PU-305BD-TX digital transmitter, the analogue audio signal will be converted and outputted as digital audio by the transmitters' built-in digital to analogue converter (DAC).

FEATURES

- Supports bi-directional transmission (in/out) of analogue audio and RS-232 pass-through
- Supports Power over Ethernet (PoE) from the Transmitter unit
- Bi-directional RS-232 control



SPECIFICATIONS

Input:	1x RJ45 (1x Digital Audio Propriety Data)
Output:	2x RCA (1x Analogue Stereo (L/R), 1x 9pin Dsub (1x TX - RS-232 Data)
Power:	12V/.25A DC (US/EU standards, CE/FCC/UL certified)
Dimensions:	100mm (W) x 110mm (D) x 25mm (H)
Gross Weight:	360g
Net. Weight:	120g
Packaging:	Boxed