

# UHDS-01



## 4K@60 and HDCP2.2 supported HDMI audio De-embedder / Embedder

The IDK UHDS-01 HDMI audio de-embedder/embedder supports HDCP 2.2 for HDMI output and 4K@60 having four times the resolution of full HD. The UHDS-01 HDMI converts the digital audio to analog audio, and it also can convert analog audio to digital audio in order to input HDMI signals.

### FRONT & REAR PANEL



### FEATURES

#### ■ Video

- Up to 4K@60 (4:4:4)
- HDCP 1.4 / 2.2
- HDR
- 3D
- x.v.Color
- Maximum input/output cable distance:
  - 1080p@60: up to 131 ft. (40 m)
  - 4K@60 : up to 39 ft. (12 m) (using 18 Gbps supported High-Speed HDMI cable)
- Anti-snow

#### ■ Audio

- Analog audio de-embedded
- Analog audio embedded

#### ■ Others

- EDID emulation
- DDC buffering
- Seven-segment LED signal status check
- Connection reset
- CEC pass through between IN and OUT

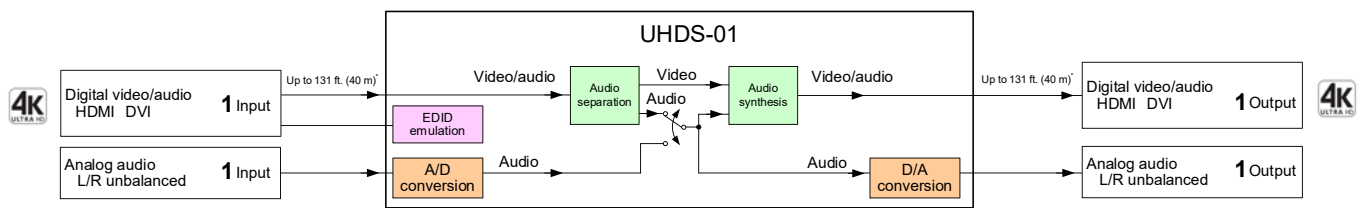
Ver.1.1.1 (180830)

Ein Vertriebsprodukt von / Distributed by:

**VIDELCO** Europe GmbH – Professionelle Audio-, Video-, Medien-Technik  
Telefon: +49 (0)2102 / 86 39-00 • Fax: +49 (0)2102 / 86 39-17 • [info@videlco.eu](mailto:info@videlco.eu) • [www.videlco.eu](http://www.videlco.eu)

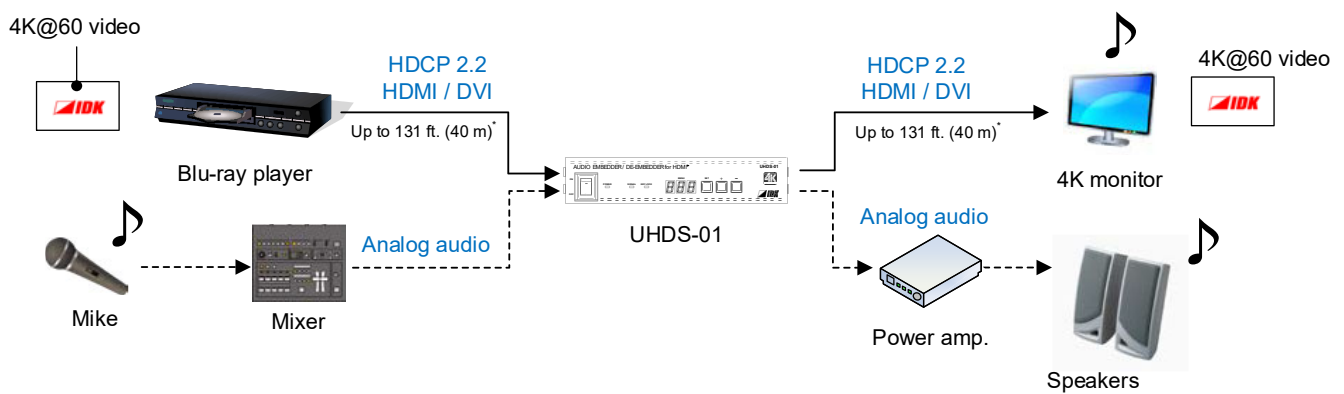


## DIAGRAM



\* Maximum cable distance  
 1080p@60: up to 131ft. (40 m), 4K@60: up to 39 ft. (12 m) (when IDK's 18 Gbps supported cable was used)

## APPLICATION EXAMPLE



\* Maximum cable distance  
 1080p@60: up to 131 ft. (40 m), 4K@60: up to 39 ft. (12 m) (when IDK's 18 Gbps supported cable was used)

## SPECIFICATIONS

Item			Description
Input	Video	HDMI / DVI	Number / Signal Connector
		Others	Color depth : 24 bit, 30 bit, 36 bit Deep Color (*5)
		Formats	VGA to 4K (*4) 480i / 480p / 576i / 576p / 720p / 1080i / 1080p / 4K (*4)
	Audio	Digital	Number / Signal Connector
		Analog	Number / Signal Connector
		Others	1 output / Stereo L/R unbalanced signals (*6) - Input impedance: 24 Ω, - Reference level: -10 dBu - Max. output level: +10 dBu 1 RCA jack
Output	Video	HDMI / DVI	Number / Signal Connector
		Others	Color depth : 24 bit, 30 bit, 36 bit Deep Color (*5)
		Formats	VGA to 4K (*4) 480i / 480p / 576i / 576p / 720p / 1080i / 1080p / 4K (*4)
	Audio	Digital	Number / Signal Connector
		Analog	Number / Signal Connector
		Others	1 output / Multi-channel linear PCM up to 8 channels - Sampling frequency: 32kHz to 192kHz - Sample Size: 16bit to 24bit - Reference level: -20 dBFS - Max. output level: 0 dBFS 1 female HDMI Type A (19-pin) 1 output / Stereo L/R unbalanced signals (*7) - Output impedance: 75 Ω, - Reference level: -10 dBu - Max. output level: +10 dBu 1 RCA jack
Plug & Play			DCC2B (built-in EDID / EDID copied from monitors / can be selected from EDID of connected monitors) Built-in EDID: the maximum resolution can be selected.
Max. Cable distance		Input	1080p@60: 131 ft. (40 m), 4K@60: 39 ft. (12 m) (*8)
		Output	1080p@60: 131 ft. (40 m), 4K@60: 39 ft. (12 m) (*8)
Functions	Contents		Audio A/D and D/A conversion, Anti-snow (*9), De-embedded audio from HDMI signal DDC buffer, 7 segment LED signal status check, Connection Reset (*10), Key lock
Others	Power	100 - 240 VAC ± 10 %, 50 Hz/60 Hz ± 3 Hz	
	Power consumption	About 8 Watts	
	Dimensions	8.3 × 1.7 × 7.9' (210 (W) × 44 (H) × 200 (D) mm) (EIA 1U high, half rack wide) (Excluding connectors and the like)	
	Weight	3.3 lbs. (1.5kg)	
	Temperature	Operating: 32°F to 104°F / 0°C to +40°C Storage: -4°F to 176°F / -20°C to +80°C	
	Humidity	Operating / Storage humidity: 20 % to 90 % (Non Condensing)	

\*1 ARC and HEC are not supported. CEC: Pass through between IN and OUT1

\*2 HDR will be supported when you connect HDR supported corresponding sink device and select external EDID setting, or when you copy EDID of HDR supported sink device by selecting EDID copy setting. If the unit supports HDR, all output signals from the unit are HDR supported signals.

\*3 3D will be supported when you connect 3D supported corresponding sink device and select external EDID setting, or when you copy EDID of 3D supported sink device by selecting EDID copy setting. If the unit supports 3D, all output signals from the unit are 3D supported signals.

\*4 4K format: 24 Hz / 25 Hz / 30 Hz / 50 Hz (4:4:4) / 59.94 Hz (4:4:4) / 60 Hz (4:4:4) are supported.

\*5 4K format: following color depth are supported.

- 24 Hz / 25 Hz / 30 Hz: 24 bit, 30 bit, 36 bit (RGB, YCbCr 4:4:4, YCbCr 4:2:2)
- 50 Hz / 59.94 Hz / 60 Hz : 24 bit, 30 bit, 36 bit (YCbCr 4:2:2, YCbCr 4:2:0)  
: 24 bit (RGB, YCbCr 4:4:4)

\*6 Audio input is switch selectable between digital embedded audio and analog audio.

\*7 Analog audio output supports only 2 channel linear PCM.

\*8 The maximum cable distance varies depending on the connected devices and was measured under following conditions:

- 1080p@60: when IDK's AWG24 cable was used and signals of 1080p@60 24 bit / pixel (8 bit / component) was input or output.
- 4K@60 : when IDK's 18 Gbps supported cable was used and signals of 4K@60 24 bit / pixel (8 bit / component) was input or output.

The maximum cable distance depends on the connected devices. The distance may not be extended with some device combinations, cabling method, or other manufacturer's cable. Video may be disturbed or may not be output even if signals are within the range mentioned above.

\*9 The anti-snow feature automatically fixes snow noise that is a specific symptom of HDCP-compliant signals and mainly occurs at start-up. This feature does not work when snow noise has already occurred during startup or when it occurs due to a bad condition of the transmission line.

\*10 For digital systems, some problems, such as an HDCP authentication error, can often be recovered by physically disconnecting and reconnecting the digital cables. However, the Connection Reset feature will fix these problems automatically without the need to physically plug and unplug the cables. It creates the same condition as if the cable were physically disconnected and reconnected. This feature only works for the MSD's output. If other devices are connected between the MSD's output and sink device, this feature may be invalid.

Ver.1.1.1 (180830)

Ein Vertriebsprodukt von / Distributed by:

**VIDELCO Europe GmbH** – Professionelle Audio-, Video-, Medien-Technik

Telefon: +49 (0)2102 / 86 39-00 • Fax: +49 (0)2102 / 86 39-17 • info@videlco.eu • www.videlco.eu