

FDX-S16 / FDX-S32



4K@30 Modular Matrix Switcher

The FDX-S16 / FDX-S32 is an HDCP-compliant modular digital matrix switcher that supports resolutions up to 4K@30.

It provides up to 16/32 inputs and 16/32 outputs.

Video and embedded audio can be switched simultaneously.

The FDX-S16 / FDX-S32 features RS-232C/LAN ports for remote control, redundant power supply, and system check that outputs an alarm in case an abnormality is detected in power supply voltage, fans, internal temperature, or board. The redundant power supply ensures constant availability and minimizes the chance of a failure even for mission-critical environments.

FRONT & REAR PANEL



FEATURES

■ Video

- Up to 4K@30
- HDCP 1.4
- 3G-SDI/HD-SDI/SD-SDI input (FDX-SIV4S)
- Automatic signal equalization
Output: Up to 131 ft. (40 m) (FDX-SOV4HS)
- Up to 984 ft. (300 m) over coaxial cable (FDX-SIV4S)
- Motion adaptive interlaced/progressive conversion (FDX-SOV4HS, FDX-SOV4TS)
- Aspect ratio control (FDX-SOV4HS, FDX-SOV4TS)
- Seamless switching with one black frame (FDX-SOV4HS, FDX-SOV4TS)
- Anti-snow
- Scaling (FDX-SOV4HS, FDX-SOV4TS)
- SDI Loop-through output connector (FDX-SIV4S)
- Videowall output (FDX-SOV4HS, FDX-SOV4TS)
- Up to 492 ft. (150 m) over Cat6 cable in Long reach mode* (FDX-SIV4T, FDX-SOV4T, FDX-SOV4TS)

■ Audio

- Lip Sync (FDX-SOV4HS, FDX-SOV4TS)

■ Control input

- RS-232C
- LAN

■ Others

- EDID emulation
- I/O board, CPU board, fan unit, and power unit can be replaced without removing from rack
- Alarm output (Monitoring power supply voltage, fans, internal temperature, and board status)
- Preset memory
- Last memory
- Connection Reset
- Button security lockout
- System check
- WEB browser control
- Redundant power supply (Optional)
- LAN and RS-232C transmission (FDX-SIV4T, FDX-SOV4T, FDX-SOV4TS)
- Status notification
- HDBaseT status display

* For long reach mode, video signals up to 1080p (24 bit) can be transmitted to 492 ft. (150 m) at maximum if using with IDK's HDBaseT products supporting 328 ft. (100 m) transmission.

Ver.1.0.0 (200701)

Ein Vertriebsprodukt von / Distributed by:

VIDELCO Europe GmbH – Professionelle Audio-, Video-, Medien-Technik

Telefon: +49 (0)2102 / 86 39-00 • Fax: +49 (0)2102 / 86 39-17 • info@videlco.eu • www.videlco.eu



■ **Specification FDX-S16 / FDX-S32**

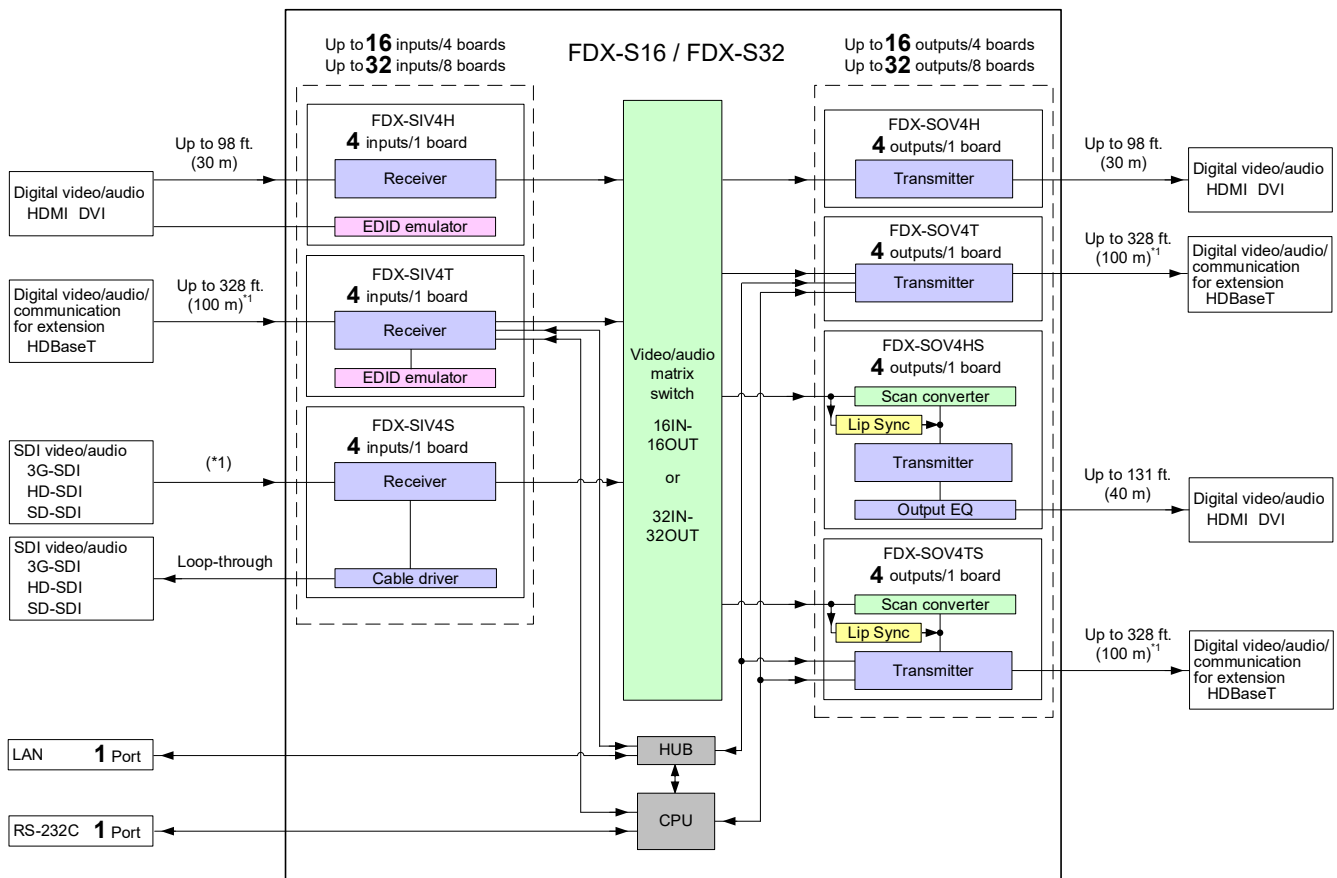
Item	Description	
Input board	Up to 4 boards (Up to 16 inputs) / Up to 8 boards (Up to 32 inputs)	
Output board	Up to 4 boards (Up to 16 outputs) / Up to 8 boards (Up to 32 outputs)	
Transmission signal	Video	Up to 4K@30
	Audio	Multi-channel LPCM up to 8 channels
	Control	Up to 38.4 kbps of RS-232C, Up to 100Base-TX of LAN
Instant Alert output	1 port/captive screw (2-pin) Non-voltage contact input up to DC 24 V 300 mA Monitoring power supply voltage, fans, internal temperature, and board status	
Control	RS-232C	1 port/captive screw (3-pin), full duplex, up to 38.4 kbps
	LAN	1 port/RJ-45 10Base-T/100Base-TX (Auto Negotiation), Auto MDI/MDI-X
Functions	I/O board, CPU board, fan unit, and power unit can be replaced without removing from rack, Preset memory (32 settings), Last memory, Button security lockout, System check, WEB browser control, Status notification, HDBaseT status display	
General	Power	100 - 240 VAC ± 10%, 50 Hz/60 Hz ± 3 Hz
	Power consumption	About 20 Watts / About 40 Watts
	Dimensions	16.9 × 5.2 × 15.7" (430 (W) × 132 (H) × 400 (D) mm) / 16.9 × 8.7 × 15.7" (430 (W) × 221 (H) × 400 (D) mm) (3U / 5U high) (Excluding connectors and the like)
	Weight	12.2 kg (With redundant power supply: 13.1 kg) / 14.9 kg (With redundant power supply: 16.3 kg)
	Temperature	Operating: 32°F to 104°F (0°C to +40°C) Storage : -4°F to +176°F (-20°C to +80°C)
	Humidity	Operating/Storage: 20% to 90% (Non Condensing)

■ **I/O boards**

Item	Parts Number	Description
Input board	FDX-SIV4H	4 inputs 4K@30 HDCP 1.4 HDMI/DVI
	FDX-SIV4T	4 inputs 4K@30 HDCP 1.4 HDBaseT
	FDX-SIV4S	4 inputs 3G-SDI/HD-SDI/SD-SDI
Output board	FDX-SOV4H	4 outputs 4K@30 HDCP 1.4 HDMI/DVI
	FDX-SOV4T	4 outputs 4K@30 HDCP 1.4 HDBaseT
	FDX-SOV4HS	4 outputs 1080p HDCP 1.4 HDMI/DVI scan conversion
	FDX-SOV4TS	4 outputs 1080p HDCP 1.4 HDBaseT scan conversion

■ **Redundant power supply unit**

Item	Parts Number	Description
Redundant power supply unit	FDX-SRP16	Redundant power unit with two independent power connectors
Redundant power supply unit	FDX-SRP32	Redundant power unit with two independent power connectors



(*1) SD-SDI : Up to 1312 ft. (400 m)
 HD-SDI : Up to 787 ft. (240 m)
 3G-SDI : Up to 459 ft. (140 m)
 over 1694A (BELDEN RG-6) cable

- Input board can expand in 4-input unit.
 - Output board can expand in 4-output unit.

¹ Up to 328 ft. (100 m) : 4K@30 (FDX-SIV4T/FDX-SOV4T)
 QVXGA, 1080p (FDX-SOV4TS)
 Up to 492 ft. (150 m) : 1080p (24bit) in Long reach mode
 For long reach mode, video signals up to 1080p (24 bit) can be transmitted to 492 ft. (150 m) at maximum
 if using with IDK's HDBaseT products supporting 328 ft. (100 m) transmission.