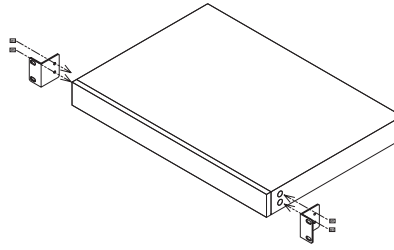


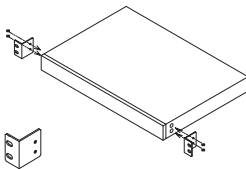
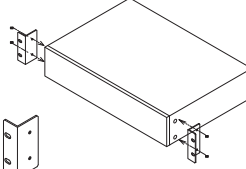
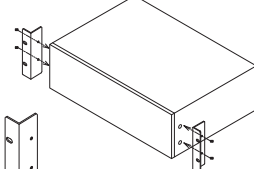
# EIA Rack Mounting Brackets

## 1U, 2U, and 3U size

Included

1U, 2U, and 3U rack width products can be mounted to the rack using the included rack mounting brackets.

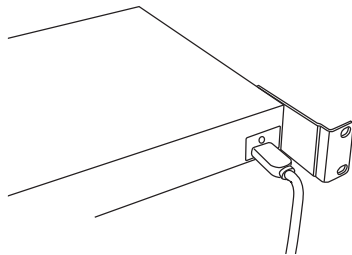


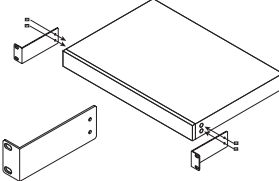
Rack height	1U	2U	3U
Bracket drawing			
EIA standards	<b>EIA1U</b>	<b>EIA2U</b>	<b>EIA3U</b>
Part number	<b>RM-E100</b>	<b>RM-E200</b>	<b>RM-E300</b>

## Optional parts for MSD-501/502/701/702/801UHD/802UHD

Optional

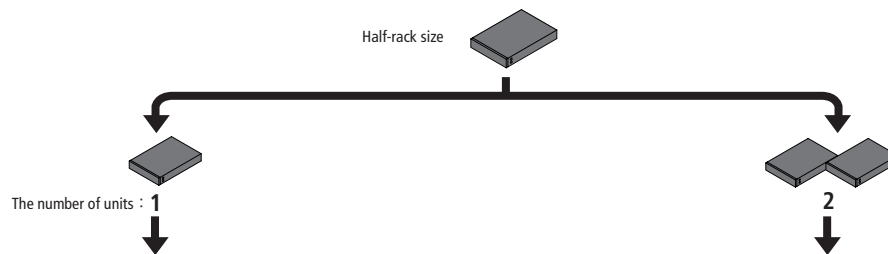
For MSD-501/502/701/702/801UHD/802UHD, optional brackets are available. Since these models have a connector on the front panel, stress may be put on the cable when the rack door is kept closed. The problem can be avoided using the bracket below.

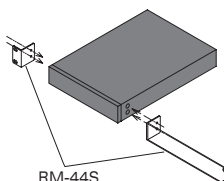
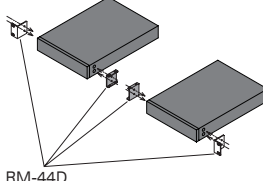


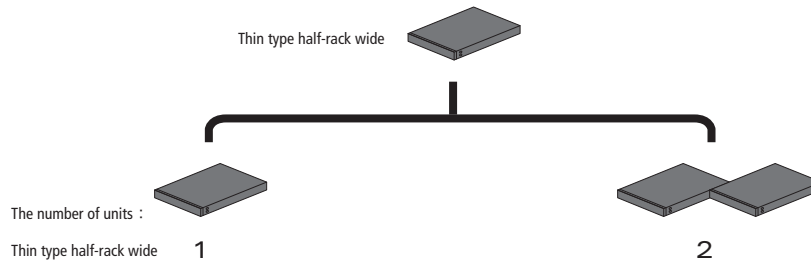
Rack height	1U
Bracket drawing	
Part number	<b>RM-OFS100</b>

## 1U high, half rack wide

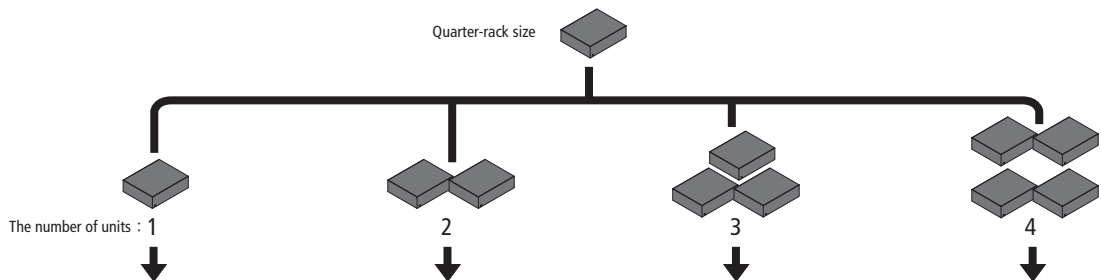
Optional



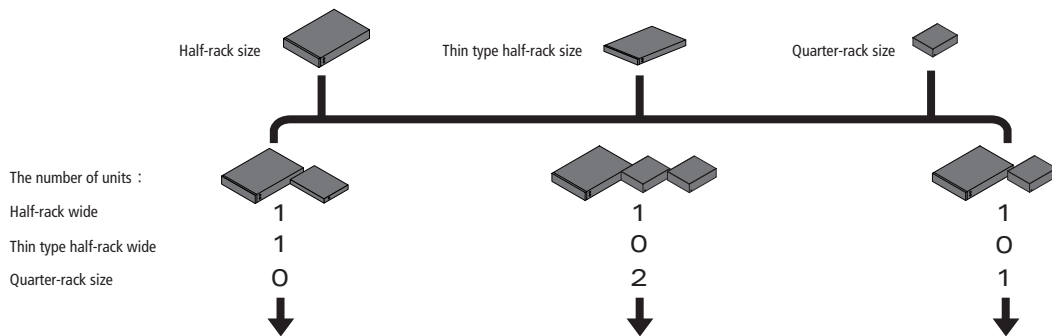
Rack width	Half-rack wide	
Bracket drawing		
The number of units	For 1 unit	For 2 units
Part number	<b>RM-44S</b>	<b>RM-44D</b>



Rack width	Thin type half-rack wide	
Bracket drawing		
The number of units	For 1 thin type half-rack unit	For 2 thin type half-rack units
Part number	<b>RM-42HQ</b> <b>RM-42BP × 2</b>	<b>RM-42HQ</b>



Rack width	Quarter-rack wide			
Bracket drawing				
The number of units	For 1 unit	For 2 units	For 3 units	For 4 units
Part number	<b>RM-42HQ</b> <b>RM-42BP×3</b>	<b>RM-42HQ</b> <b>RM-42BP×2</b>	<b>RM-42HQ</b> <b>RM-42BP</b>	<b>RM-42HQ</b>



Rack size	1 Half-rack wide + 1 Thin type half-rack wide	1 Half-rack wide + 2 Quarter-rack wide	1 Half-rack wide + 1 Quarter-rack wide
Bracket drawing			
The number of units	1 Half-rack unit (H: 1.73" (44 mm)) + 1 Thin type half-rack size	1 Half-rack unit (H: 1.73" (44 mm)) + 2 Quarter-rack size	1 Half-rack unit (H: 1.73" (44 mm)) + 1 Quarter-rack size + Quarter-rack size blank panel
Part number	<b>RM-4442</b>		<b>RM-4442</b> <b>RM-42BP</b>

Product	SWC-2000	
Bracket drawing		
The number of units	For 1 unit	For 2 units
Part number	<b>RM-SWC2001</b>	<b>RM-SWC2002</b>

## Models and Part Numbers

Half-rack size	<b>RM-44S</b>	For 1 half-rack size unit
	<b>RM-44D</b>	For 2 half-rack size units
Quarter-rack size, Thin type half-rack size	<b>RM-42HQ</b>	For 4 quarter-rack size units, For 2 thin type half-rack size units
	<b>RM-42BP</b>	Quarter-rack size blank panel
Combination of half-rack size and quarter-rack size	<b>RM-4442</b>	Combination of half-rack wide and Thin type half-rack wide or quarter-rack wide
Optional parts for MSD-501/502/701/702/801UHD/802UHD	<b>RM-OFS100</b>	For MSD-501/502/701/702/801UHD/802UHD
Optional parts for SWC-2000	<b>RM-SWC2001</b>	For 1 SWC-2000 unit
	<b>RM-SWC2002</b>	For 2 SWC-2000 units
Mounting Plate	<b>FP-Z30 Mounting Plate</b>	For thin type half-rack width
	<b>FP-70 Mounting Plate</b>	For 2.76 in. (70 mm)
	<b>FP-100 Mounting Plate</b>	For 3.94 in. (100 mm)
	<b>FP120 Mounting Plate</b>	For 4.72 in. (120 mm)
	<b>FP200 Mounting Plate</b>	For 7.87 in. (200 mm)

\* The color of all mounting hardware is black. If you need white 42 half rack mounting holder (HR-1) or half-size blank panel (HR-B1), please contact us.

Ein Vertriebsprodukt von / Distributed by:

**VIDELCO** Europe GmbH – Professionelle Audio-, Video-, Medien-Technik

Telefon: +49 (0)2102 / 86 39-00 • Fax: +49 (0)2102 / 86 39-17 • info@videlco.eu • www.videlco.eu