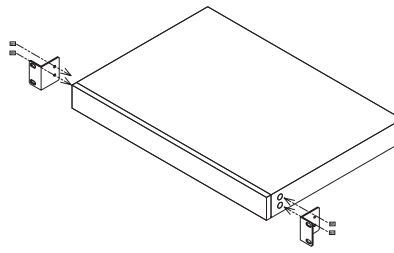


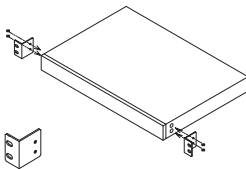
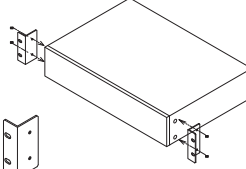
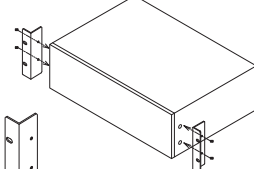
EIA Rack Mounting Brackets

1U, 2U, and 3U size

Included

1U, 2U, and 3U rack width products can be mounted to the rack using the included rack mounting brackets.

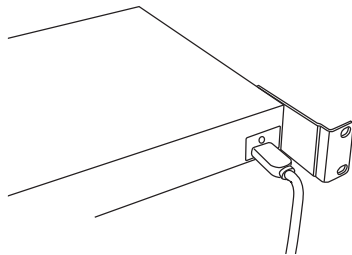


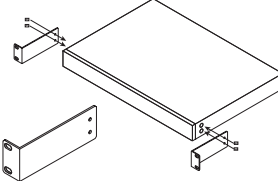
| Rack height | 1U | 2U | 3U |
|-----------------|---|--|---|
| Bracket drawing |  |  |  |
| EIA standards | EIA1U | EIA2U | EIA3U |
| Part number | RM-E100 | RM-E200 | RM-E300 |

Optional parts for MSD-501/502/701/702/801UHD/802UHD

Optional

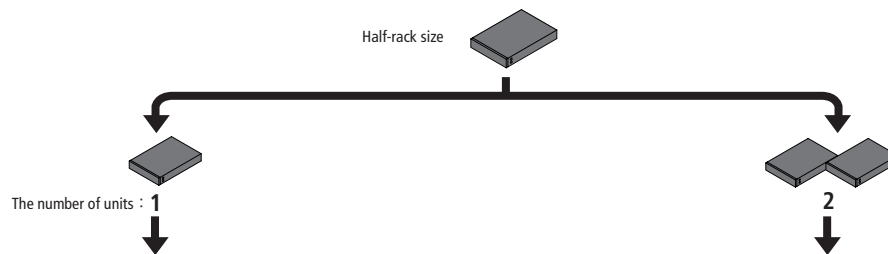
For MSD-501/502/701/702/801UHD/802UHD, optional brackets are available. Since these models have a connector on the front panel, stress may be put on the cable when the rack door is kept closed. The problem can be avoided using the bracket below.

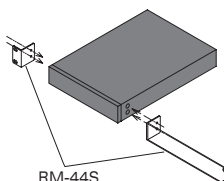
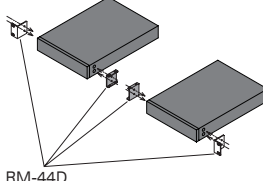


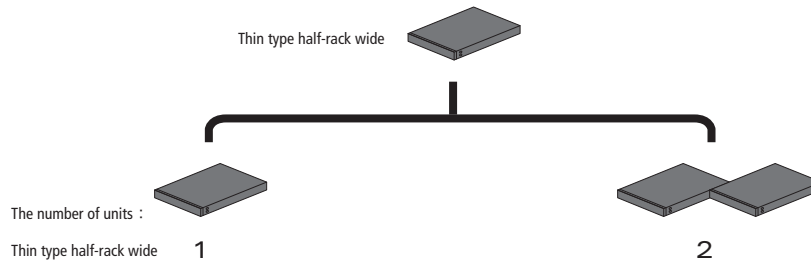
| Rack height | 1U |
|-----------------|---|
| Bracket drawing |  |
| Part number | RM-OFS100 |

1U high, half rack wide

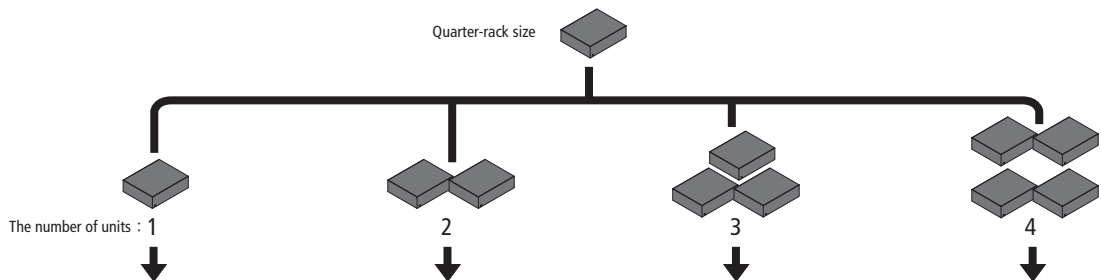
Optional



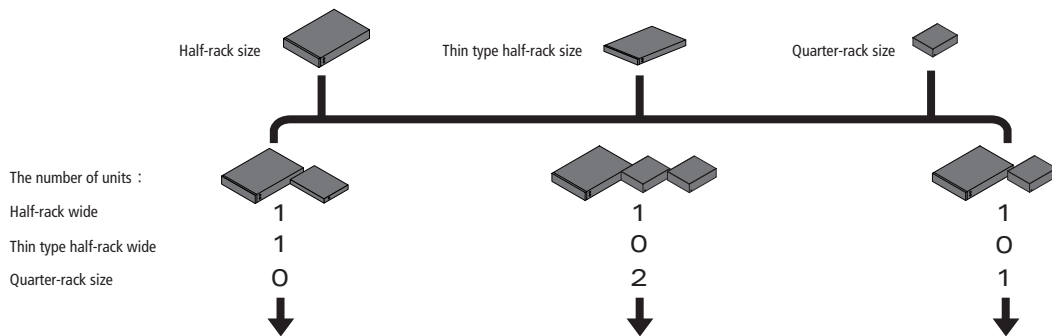
| Rack width | Half-rack wide | |
|---------------------|---|---|
| Bracket drawing |  |  |
| The number of units | For 1 unit | For 2 units |
| Part number | RM-44S | RM-44D |



| | | |
|---------------------|--------------------------------------|---------------------------------|
| Rack width | Thin type half-rack wide | |
| Bracket drawing | | |
| The number of units | For 1 thin type half-rack unit | For 2 thin type half-rack units |
| Part number | RM-42HQ RM-42BP × 2 | RM-42HQ |



| | | | | |
|---------------------|------------------------------------|------------------------------------|----------------------------------|----------------|
| Rack width | Quarter-rack wide | | | |
| Bracket drawing | | | | |
| The number of units | For 1 unit | For 2 units | For 3 units | For 4 units |
| Part number | RM-42HQ RM-42BP×3 | RM-42HQ RM-42BP×2 | RM-42HQ RM-42BP | RM-42HQ |



| Rack size | 1 Half-rack wide + 1 Thin type half-rack wide | 1 Half-rack wide + 2 Quarter-rack wide | 1 Half-rack wide + 1 Quarter-rack wide |
|---------------------|--|---|---|
| Bracket drawing | | | |
| The number of units | 1 Half-rack unit (H: 1.73" (44 mm)) + 1 Thin type half-rack size | 1 Half-rack unit (H: 1.73" (44 mm)) + 2 Quarter-rack size | 1 Half-rack unit (H: 1.73" (44 mm)) + 1 Quarter-rack size + Quarter-rack size blank panel |
| Part number | RM-4442 | | RM-4442 RM-42BP |

| Product | SWC-2000 | |
|---------------------|-------------------|-------------------|
| Bracket drawing | | |
| The number of units | For 1 unit | For 2 units |
| Part number | RM-SWC2001 | RM-SWC2002 |

Models and Part Numbers

| | | |
|--|------------------------------|---|
| Half-rack size | RM-44S | For 1 half-rack size unit |
| | RM-44D | For 2 half-rack size units |
| Quarter-rack size, Thin type half-rack size | RM-42HQ | For 4 quarter-rack size units, For 2 thin type half-rack size units |
| | RM-42BP | Quarter-rack size blank panel |
| Combination of half-rack size and quarter-rack size | RM-4442 | Combination of half-rack wide and Thin type half-rack wide or quarter-rack wide |
| Optional parts for MSD-501/502/701/702/801UHD/802UHD | RM-OFS100 | For MSD-501/502/701/702/801UHD/802UHD |
| Optional parts for SWC-2000 | RM-SWC2001 | For 1 SWC-2000 unit |
| | RM-SWC2002 | For 2 SWC-2000 units |
| Mounting Plate | FP-Z30 Mounting Plate | For thin type half-rack width |
| | FP-70 Mounting Plate | For 2.76 in. (70 mm) |
| | FP-100 Mounting Plate | For 3.94 in. (100 mm) |
| | FP120 Mounting Plate | For 4.72 in. (120 mm) |
| | FP200 Mounting Plate | For 7.87 in. (200 mm) |

* The color of all mounting hardware is black. If you need white 42 half rack mounting holder (HR-1) or half-size blank panel (HR-B1), please contact us.

Ein Vertriebsprodukt von / Distributed by:

VIDELCO Europe Limited – Professionelle Audio-, Video-, Medien-Technik
 Telefon: +49 (0)2102 / 86 39-00 • Fax: +49 (0)2102 / 86 39-17 • info@videlco.eu • www.videlco.eu