

# OPF-H1000D

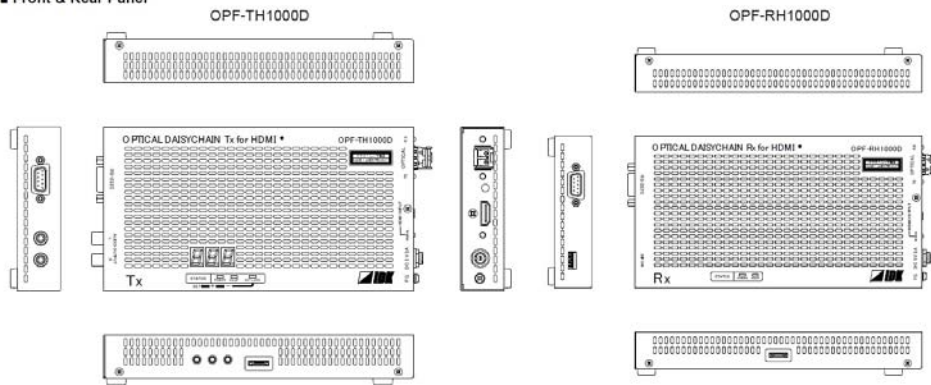
## HDMI Fiber Optic Extender



The IDK OPF-1000D Fiber Optic Extender is an extender for the long haul transmission of HDCP-compliant HDMI video and unidirectional RS-232 control signals over fiber optic cabling. It also supports daisy chaining. Input signals are extended without compression. Audio can be de-embedded from the HDMI signal and output as analog audio at the transmitter side.

### FRONT & REAR PANEL

#### ■ Front & Rear Panel

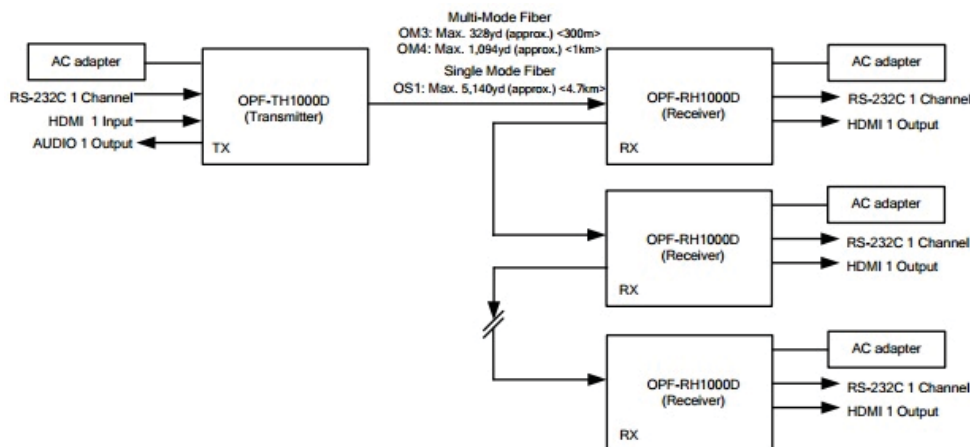


- Specifications can be changed without prior notice.
- An attached power cord is used only for this product. Please do not use it for other uses.
- „HDMI“, logotype of "HDMI" and "High-Definition Multimedia Interface" are trademarks or registered trademarks of HDMI Licensing LLC or registered trademarks in the U.S.A and other countries.
- "PjLink" is a trademark registration or an application for trademark registration in JAPAN, the United States, and other countries and regions.
- JBMA: Japan Business Machine and Information System Industries Association.

### PRODUCT SELECTION

Parts Number	Fiber Type	Max. Distance	Order No.
OPF-TH1000D-MM	Multimode	985ft (approx.) <300m> *OM3 fiber	8673-0019-01
OPF-RH1000D-MM			8673-0020-01
OPF-TH1000D-SM	Singlemode	2.92 miles (approx.) <4,7km> *OS1 fiber	8673-0021-01
OPF-RH1000D-SM			8673-0022-01

### CONNECTION EXAMPLE



### SFP

Item	Multimode fiber	Singlemode fiber
Connector	2 LC connectors (Duplex)	
Wave length	850 nm (Oxide VCSEL Laser (*8))	1310 nm (Fabry-Perot laser (*8))
Max. extensions distance	OM3: 985ft(approx.)<300m>OM4: 3.280ft(<1km>	OS1:2.92 miles (approx.) <4,7km>
Optical power level	Input	Over -18 dBm
	Output	-9dBm to -2,5 dBm
		Over -18 dBm
		-8,4dBm to -3dBm

2015-05

Ein Vertriebsprodukt von / Distributed by:

**VIDELCO** Europe Limited – Professionelle Audio-, Video-, Medien-Technik

Telefon: +49 (0)2102 / 86 39-00 • Fax: +49 (0)2102 / 86 39-17 • info@videlco.eu • www.videlco.eu



Item			Description		
Model number			OPF-TH1000D(Transmitter)	OPF-RH1000D(Receiver)	
Input	Video	Number/Signal	1 input / HDMI (*1)- HDCP: Pass through- CEC: Pass through- TMDS Single Link- TMDS clock: 25 MHz to 165 MHz	1 input / Optical signal for extension	
		Connector	1 female HDMI Type a(*2)	1 LC connector	
		Others	Color depth: 24bit		
		Formats	VESA: VGA/SVGA/XGA/WXGA (1280x768) /WXGA(1280x800)/Quad-VGA/SXGA/WXGA(1360x768)/WXGA(1366x768)/SXGA+/WXGA+/WXGA+ +/UXGA/WSXGA+/WUXGA* WUXGA only supports Reduced BlankingSDTV/HDTV: 480i/480p/576i/576p/720p/1080i/1080p		
	Audio	Digital	Digital Number/Signal	1 input / Multi-channel linear PCM up to 8 channels- Sampling frequency: 32 kHz to 192 kHz- Sample size: 16 bit to 24 bit- Reference level: -20 dBFS- Max. input level: 0 dBFS	1 input / Optical signal for extension
			Connector	1 female HDMI Type A (*2)	1 LC connector
		Analog (*4)	Number/Signal	output / Optical signal for extension	1 output / HDMI (*1)- HDCP: Pass through- CEC: Pass through- TMDS Single Link- TMDS clock: 25 MHz to 165 MHz
			Connector	1 stereo mini jack (3.5 mm)	1 LC connector
Output	Video	Digital	Number/Signal	1 output / Optical signal for extension	1 output / Multi-channel linear PCM up to 8 channels- Sampling frequency: 32 kHz to 192 kHz- Sample size: 16 bit to 24 bit- Reference level: -20 dBFS- Max. input level: 0 dBFS
			Connector	1 LC connector	1 female HDMI Type A (*2)
		Daisy Chain	Number/Signal		1 output / Optical signal for extension
			Connector		1 LC connector
		Others	Others	color depth: 24 bit (*3)	
		Formats	VESA: VGA/SVGA/XGA/WXGA (1280x768) /WXGA (1280x800)/Quad-VGA/SXGA/WXGA(1360x768)/WXGA(1366x768)/SXGA+/WXGA+/WXGA+ +/UXGA/WSXGA+/WUXGA* WUXGA only supports output as Reduced BlankingSDTV/HDTV: 480i/480p/576i/576p/720p/1080i/1080p		
	Audio	Digital	Number/Signal	1 output / Optical signal for extension	1 output / Multi-channel linear PCM up to 8 channels- Sampling frequency: 32 kHz to 192 kHz- Sample size: 16 bit to 24 bit- Reference level: -20 dBFS- Max. input level: 0 dBFS
			Connector	1 LC connector	1 female HDMI Type A (*2)
		Daisy Chain	Number/Signal	-	1 output / Optical signal for extension
			Connector	-	1 LC connector
		Analog (*5)	Number / Signal	1 output / Optical signal for extension	1 output / Stereo LR unbalanced signal- Output impedance: 75 Ω- Reference level: -10 dBu, - Max. output level: +10 dBu
			Connector	1 LC connector	1 stereo mini jack (3.5 mm)
	Plug & Play			DDC2B (Built in EDID) *Max resolution selectable using built in EDID	
	Suitable cable		Simplex fiber cable, SFP module (2LC connectors)		
Fiber optic cable	Polishing (*6)		SFP for Multimode: PC (recommended)SFP for Singlemode: UPC (recommended), SPC supported * APC is not supported		
Signal transmission distance (*7)			Multimode fiber (OM3): 985ft (approx.) <300m>Multimode fiber (OM4): 3,280ft (approx.) <1km>Singlemode fiber (OS1): 2.92 miles (approx.) <4.7km>		
Control	Serial control port	Number / Signal Connector	1 port / simplex up to 115.2 kbps 1 male 9-pin D-Sub		
Others	AC adapter		Input: 100 - 240 VAC ± 10%, 50 Hz/60 Hz ± 3 HzOutput: DC 5V 3A (AC adapter supplied)		
	Power consumption		Around 9 Watts		
	Dimensions		7.87(W)x1.18(H)x4.17(D) "(approx.)<200(W)x30(H)x106(D)mm>(Quarter rack, not including projections)		
	Weight		0.88 lbs. (approx.)<0.6kg>		
	Temperature		Operating temperature: 32°F ~ 104°F<0°C ~ +40°C>Storage temperature: -4°F ~ +176°F<-20°C ~ +80°C>		
	Humidity		Operating Storage humidity: 20% ~ 90% (Non Condensing)		

2015-05

Ein Vertriebsprodukt von / Distributed by:

VIDELCO Europe Limited – Professionelle Audio-, Video-, Medien-Technik

Telefon: +49 (0)2102 / 86 39-00 • Fax: +49 (0)2102 / 86 39-17 • info@videlco.eu • www.videlco.eu