

C2-2450A

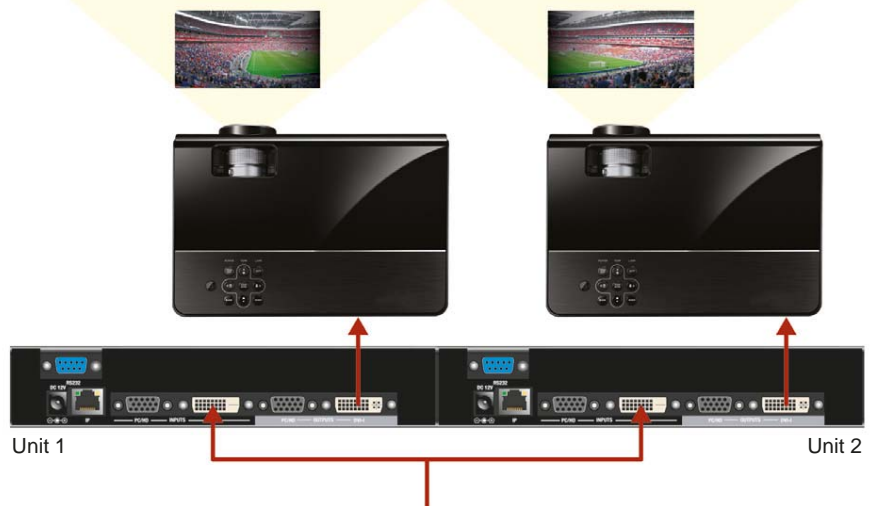
Edge Blender (x)

Key Features C2-2450A

- Inputs: DVI-D and Analog RGB/YPbPr
- Outputs: DVI-I and Analog RGB/YPbPr
- Analog: PC to 2048x2048, HDTV to 1080p/60
- DVI: PC to 1920x1200, HDTV to 1080p/60
- Temporal Interpolation & Diagonal Interpolation
- Automatic Incoming Resolution Detection
- Black and White test outputs.
- 4:4:4 Full bandwidth Sampling
- Video signal parameter adjustments
- RS-232 and IP Interface & Windows Control Panel
- Variable 10X Image Zoom & Shrink to 10%
- Locking DC Power adaptor
- Optional IR Remote Control Unit
- Optional Single/Dual Rackmount Kit



C2-2450A Edge Blender is based on TV One's exclusive CORIO®2 Technology has been developed to facilitate easy edge-blending using two or more units. A single DVI or RGB source at virtually any resolution and refresh rate is simultaneously fed into two or more separate C2-2450A units and using their integral processing engines, the video is prepared and output to multiple projectors and blended seamlessly together to create larger, brighter displays. Set up is made simpler with dedicated front panel push buttons for turning the edge-blend guidelines on and off and also for switching to a full black or white output to aid in gamma correction and black level adjustment. All functions can be controlled via the front panel, infrared, RS-232 or IP. An easy-to-use edge-blending software tool is also freely available allowing for even simpler operation of the C2-2450A. Ten user defined presets are available to customise settings for various applications and due to the unit's non-volatile memory these settings are retained even when power is switched off. Pixel accurate scaling is available to support any edge-blend application with images from multiple units aligned vertically, horizontally or both to create unusual displays. The unit is housed in a desktop case and an optional rackmount kit holds one or two units.



A single DVI or RGB source fed into 2 or more C2-2450A processors is prepared & output to multiple projectors to provide a large bright display.

Edge Blenders

Distributor / Vertrieb:

VIDELCO – Professionelle Audio- Video- Medien-Technik!
 Tel.: +49 (0)2102 / 86 39-00 • Fax: +49 (0)2102 / 86 39-17 • info@videlco.eu • www.videlco.eu

C2-2450A Specifications

Computer Inputs

Signal Type	1x DVI-D via DVI-I Connector 1x Analog via HD-15 Female
Format	RGBHV, RGBS, RGsB, YPbPr
Sync	TTL Level, 10KΩ, Pos or Neg
Termination	75Ω
R-G-B Level Range	0.5-2.0 Vp-p
Scan Rate Detection	Automatic
PC Resolutions	DVI up to 1920x1200 60Hz Analog up to 2048x2048
HDTV Resolutions	Any up to 1080p/60
Max Horiz Scan Rate	150KHz
Computer Compatibility	PC, Macintosh, Workstations

Computer Outputs

Signal Type	1x DVI-I via DVI-I Connector 1x Analog via HD-15 Connector
Format	RGBHV, RGBS, RGsB, YPbPr
R-G-B Level	0.7 Vp-p
Analog Signals	PC to 2048x2048, HD to 1080p/60
DVI Signals	PC to 1920x1200, HD to 1080p/60
Vertical Refresh Rate	Any to 250Hz

General

Size and Position	Automatic via AutoSet or Manual
Image Size	User-Definable Presets
Image Freeze	One Video Frame
Settings Memory	Non-Volatile
Zoom Range	Variable to 10X Zoom
Shrink Range	Variable to 10%
Image Mirroring	Horizontal and/or Vertical
Horizontal Filtering	Full Digital
Conversion Technology	Proprietary – CORIO@2
Frame Rate Conversion	Temporal
Color Resolution	24-bit (16.8 Million Colors)

Sampling Rate	162MHz
Digital Sampling	24-bit, 4:4:4 format
DVI I/O	HDCP Compliant
Firmware Memory	Flash, Upgradeable via RS-232

Control Methods

Local	via Front Panel Buttons & OSD
RS-232 Interface	via D9 Female Connector
IP Interface	via RJ45 Connector
Infrared Remote	via optional IRC-5 Remote Unit
Input Expansion Control	via D-15 Options Connector

Warranty

Limited Warranty	5 Years Parts and Labor
------------------	-------------------------

Regulatory Compliance

Main Units	FCC, CE, RoHS
Power Supplies	UL, CUL, CE, PSE, GS, RoHS

Mechanical

Size (H-W-D)	41.5x218x150mm (1.63"x8.6"x5.9")
Weight (Net)	1.32kg (2.90 lbs)

Environmental

Operating Temperature	0° to +50° C (+32° to +122° F)
Operating Humidity	10% to 85%, Non-condensing
Storage Temperature	-10° to +70° C (+14° to +158° F)
Storage Humidity	10% to 85%, Non-condensing

Power Requirement

External Power Supply	12VDC@1.0A
-----------------------	------------

Accessories Included

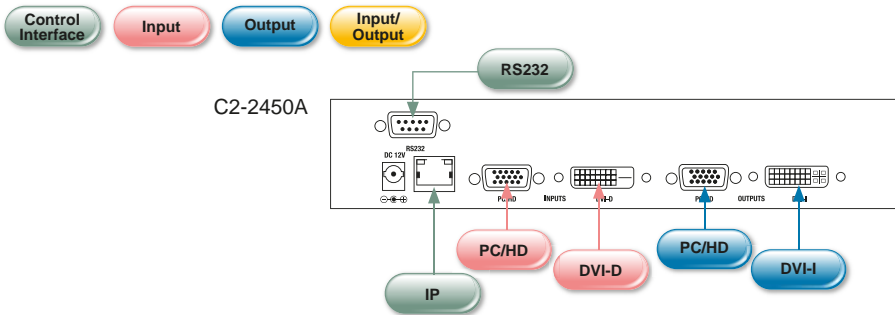
1x Operations Manual	
1x Power Adapter	US, UK or Euro

Product Item Numbers

C2-2450A	Edge Blender
----------	--------------

Optional Accessories

RM-220	Single/Dual Rackmount Kit
IRC-5	Infrared Remote Control Unit
Control Software	Downloadable form Website



Distributor / Vertrieb:

VIDELCO – Professionelle Audio- Video- Medien-Technik!
 Tel.: +49 (0)2102 / 86 39-00 • Fax: +49 (0)2102 / 86 39-17 • info@videlco.eu • www.videlco.eu