

MX-5288

8x8 DVI Matrix Routing Switcher



Key Features MX-5288

- 8x8 Matrix DVI Signal Switching
- VGA through WUXGA Signals are Supported
- Monitor EDID Cloning Support
- Buffered Video Signal Handling
- 480p to 1080p HDTV & VGA–WUXGA Resolutions
- IR Remote Control
- RS-232 Control or Ethernet Control
- Rack Mount Kit included

MX-5288 8x8 DVI Matrix Routing Switcher is designed to allow distribution of eight DVI-D (w/o HDCP) sources to eight devices independently or all at the same time. All video paths are buffered to prevent cross talk and 480p through 1080p HDTV signals, plus VGA (640x480) through WUXGA (1900x1200) signals are accepted as valid inputs and outputs.

All inputs are processed at full bandwidth, using single link, 165 MHz (4.95Gpbs) circuitry so as to deliver no compromise outputs on all paths. Switcher memory is employed to insure last selection recall should power be temporarily lost. RS-232, Ethernet and Infrared control supplement front panel input/output selection and a rack mount kit is included with the switcher. The MX-5288 also provides output independent, per-input EDID cloning support.

1T-MX-6344

HDMI Matrix Routing Switcher



Key Features 1T-MX-6344

- 4x4 Matrix HDMI Matrix Routing Switcher
- HDMI v1.3 Compliant
- DVI Compatible (with DVI to HDMI Adapters)
- Full Embedded Digital Audio I/O Support
- PC Resolutions through UXGA
- HD Resolutions through 1080p
- SD Resolutions of 480i and 576i
- RS-232 Interface
- IR Remote Control
- Rack Mount Kit included

1T-MX-6344 4x4 HDMI Matrix Switcher is designed to allow distribution of four HDMI (or DVI) sources independently to four destinations. The 1T-MX-6344 supports HDMI v1.3 Deep Color (10 bit color) video and new lossless, compressed Dolby TrueHD, Dolby Digital Plus as well as DTS-HD Master Audio digital audio. HDCP is supported and all signal paths are fully buffered to prevent cross talk. Frequency bandwidth is 2.25 Gbps (Single Link) and each input signal is reconstituted into a new signal before being output thereby eliminating any jitter component.

HDTV signals up to 1080p and PC signals up to UXGA signals are supported as well as 480i and 576i SDTV. Special mechanical features include TV One's exclusive locking DC power connector as well as compatibility with locking type HDMI cable connectors. RS-232 and Infrared Remote Control are provided in addition to front panel pushbuttons. Rackmount ears are included.

Routing Switchers

Distributor / Vertrieb:

VIDELCO – Professionelle Audio- Video- Medien-Technik!
 Tel.: +49 (0)2102 / 86 39-00 • Fax: +49 (0)2102 / 86 39-17 • info@videlco.eu • www.videlco.eu

MX-5288 Specifications

Video Inputs

DVI-D Video 8x via DVI-I Female Connectors

Video Outputs

DVI-D Video 8x via DVI-I Female Connectors

Video Performance

Video Resolution 480p through 1080p, VGA through WUXGA

Supported Signals DVI-D (w/o HDCP)

Video Processing Single-Link, 165MHz, 4.95Gbps

Device Control Method Front Panel, IR Remote, RS-232, Ethernet

EDID Capability Standard Monitor Resolutions

Mechanical

Size (H-W-D) 1.75"x17"x7.9" (44x440x200mm)

Size (H-W-D) 1.75"x19"x7.9" (44x482x200mm) (Rackmount Ears)

Weight (Net) 7.2 lbs (2.6kg)

Power Requirement

Internal Power Supply 100-250VAC, 50-60Hz, 60W

Warranty

Limited Warranty 3 Years Parts and Labor

Environmental

Operating Temperature 0° to +40°C (+32° to +104°F)

Operating Humidity 20% to 90%, Non-condensing

Storage Temperature -20° to +60°C (-4° to +140°F)

Storage Humidity 20% to 90%, Non-condensing

Regulatory Approvals

Switcher Units FCC, CE, RoHS

Power Supplies UL, CUL, CE, PSE, GS, RoHS

Accessories Included

1x AC Power Cable US, UK or European Type

1x IR Remote Control Infrared

1x Rack Mount Kit

1x Operations Manual

Optional Accessories

Cables/Adapters Various Types and Lengths

Product Item Number

MX-5288 8x8 DVI Matrix Routing Switcher

1T-MX-6344 Specifications

Video Inputs

HDMI (Note 1) 4x via HDMI Type A Connectors

Video Outputs

HDMI (Note 1) 4x via HDMI Type A Connectors

Audio Inputs/Outputs

Embedded Audio Dolby TrueHD, Dolby Digital Plus, DTS-HD

Performance

Compliance HDMI v1.3, HDCP 1.1, DVI 1.0

Signal Processing Compensated, Clock Phase Adjusted

Jitter Processing Reconstituted Signal: Jitter Free

Color Processing 30 bit (10 bit/color)

Frequency Bandwidth 2.25Gbps (Single Link)

Video Resolutions 480i through 1080p, VGA through UXGA

Audio Processing Dolby, DTS 32-192 fs sample, LPCM 7.1, all Channels

EDID Auto or Manual Discovery

Cable Distance-Input 20m (66 ft.) (1080p/8 Bit)

Cable Distance-Output 15m (49 ft.) (1080p/8 Bit)

Control Methods Front Panel, Infrared, RS-232

Mechanical

Size (H-W-D) 1.75"x17.2"x 6.9"(44x438x175mm)

Weight (Net) 6.8 lbs (3.1Kgs)

Warranty

Limited Warranty 3 Years Parts and Labor

Environmental

Operating Temp. 0° to +50°C (+32° to +122°F)

Operating Humidity 10% to 90%, Non-condensing

Storage Temperature -10° to +60°C (+14° to +140° F)

Storage Humidity 10% to 90%, Non-condensing

Power Requirement

External Power Supply 5VDC - Locking DC

Regulatory Approvals

Switcher Units FCC, CE, RoHS

Power Supplies UL, CUL, CE, PSE, GS, RoHS

Accessories Included

1x AC Power Adapter US, UK or European Type

1x RC-44

1x Rack Mount Kit

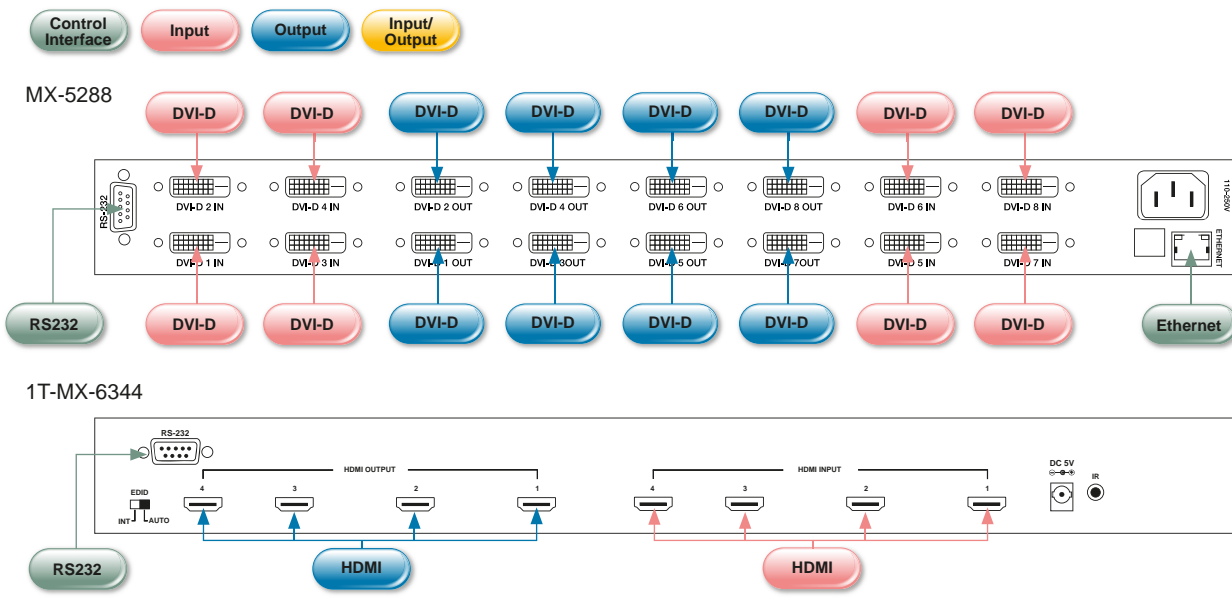
1x Operations Manual

Product Number

1T-MX-6344 HDMI 4x4 Matrix Switcher

Notes

(1) DVI Compatible by using HDMI to DVI Adapters.



Distributor / Vertrieb:

VIDELCO – Professionelle Audio- Video- Medien-Technik!

Tel.: +49 (0)2102 / 86 39-00 • Fax: +49 (0)2102 / 86 39-17 • info@videlco.eu • www.videlco.eu